

PARTS LIST

CONTENTS

- USING PW BOARD & REMOTE CONTROL UNIT 17
- EXPLODED VIEW PARTS LIST 18
- EXPLODED VIEW 18
- PRINTED WIRING BOARD PARTS LIST

[AV28BT5ENS / AV28BT5ENB]

- MAIN PW BOARD ASS'Y 20
- MULTI SOUND PW BOARD ASS'Y 24
- CRT SOCKET PW BOARD ASS'Y 25
- FRONT CONTROL PW BOARD ASS'Y 25
- HEAD PHONE JACK PW BOARD ASS'Y 25

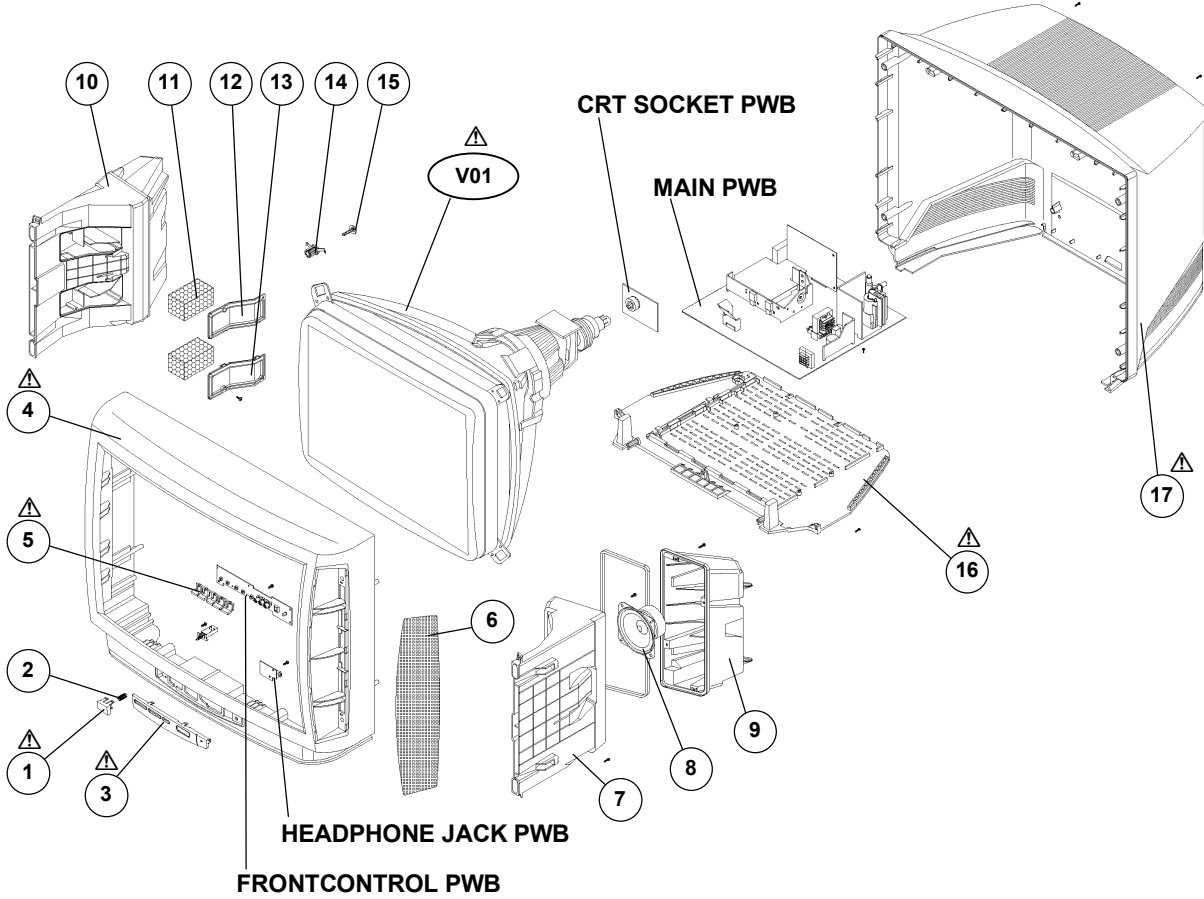
[AV28BT5EES / AV28BT5EEB]

- MAIN PW BOARD ASS'Y 26
- PACKING / PACKING PARTS LIST 31

USING PW BOARD & REMOTE CONTROL UNIT

Model	AV28BT5ENS AV28BT5ENB	AV28BT5EES AV28BT5EEB
PWB ASS'Y		
MAIN PWB	VE-20073586	VE-20073447
MULTI SOUND PWB	VE-20078991	←
CRT SOCKET PWB	VE-20074437	←
FRONT CONTROL PWB	VE-20079113	←
HEAD PHONE JACK PWB	VE-20075472	←
REMOTE CONTROL UNIT	RM-C85	←

EXPLODED VIEW



EXPLODED VIEW PARTS LIST

[SILVER model : AV28BT5ENS, AV28BT5EES]

△ Ref.No.	Part No.	Part Name	Description
△ V01	VE-30002751	PICTURE TUBE (ITC)	
△ 1	VE-20074065	POWER KNOB	
2	VE-35000013	SPRING	
△ 3	VE-20056445	FRONT PANEL	
△ 4	VE-20073707	FRONT CABINET	
△ 5	VE-20074065	BUTTON ASS'Y	
6	VE-35004351	SPEAKER GRILL	(X2)
7	VE-20004585	SPEAKER BRACKET	(X2)
8	VE-30001943	SPEAKER	(X2)
9	VE-20004584	SPEAKER BRACKET COVER	(X2)
10	VE-20000587	SPEAKER BRACKET ASS'Y	(X2)
11	VE-40000144	SPONGE ACOUSTIC	(X4)
12	VE-40004203	LEFT LID	(X2)
13	VE-20004202	RIGHT LID	(X2)
14	VE-40000108	ADJUSTABLE BOSS CRT	(X4)
15	VE-35000235	SCREW	(X4)
△ 16	VE-20004163	BASE	
△ 17	VE-20004635	BACK COVER	

[BLACK model : AV28BT5ENB, AV28BT5EEB]

△ Ref.No.	Part No.	Part Name	Description
△ V01	VE-30002751	PICTURE TUBE (ITC)	
△ 1	VE-20074065	POWER KNOB	
2	VE-35000013	SPRING	
△ 3	VE-20056445	FRONT PANEL	
△ 4	VE-20003525	FRONT CABINET	
△ 5	VE-20015255	BUTTON ASS'Y	
6	VE-35000072	SPEAKER GRILL	(X2)
7	VE-20004585	SPEAKER BRACKET	(X2)
8	VE-30001943	SPEAKER	(X2)
9	VE-20004584	SPEAKER BRACKET COVER	(X2)
10	VE-20000587	SPEAKER BRACKET ASS'Y	(X2)
11	VE-40000144	SPONGE ACOUSTIC	(X4)
12	VE-40004203	LEFT LID	(X2)
13	VE-20004202	RIGHT LID	(X2)
14	VE-40000108	ADJUSTABLE BOSS CRT	(X4)
15	VE-35000235	SCREW	(X4)
△ 16	VE-20004163	BASE	
△ 17	VE-20016402	BACK COVER	

PRINTED WIRING BOARD PARTS LIST

[AV28BT5ENS / AV28BT5ENB]

MAIN P.W. BOARD ASS'Y (VE-20073586)

△ Symbol No.	Part No.	Part Name	Description	△ Symbol No.	Part No.	Part Name	Description
RESISTOR				RESISTOR			
R001	VE-30000471	CF RES.	1/4W 10K J	R361	VE-30000464	SMD RES.	1/10W 100R J
R001	VE-30000631	SMD RES.	1/10W 2.7K J	R364	VE-30000464	SMD RES.	1/10W 100R J
R002	VE-30000471	CF RES.	1/4W 10K J	R378	VE-30000471	CF RES.	1/4W 10K J
R002	VE-30000631	SMD RES.	1/10W 2.7K J	R379	VE-30000475	SMD RES.	1/10W 10K J
R003	VE-30000770	CF RES.	1/4W 680R J	R399	VE-30000717	SMD RES.	1/10W 470R J
R010	VE-30000797	SMD RES.	1/10W 75R J	R400	VE-30000717	SMD RES.	1/10W 470R J
R011	VE-30000480	SMD RES.	1/10W 100K J	R402	VE-30000706	CF RES.	1/4W 47R J
R012	VE-30000480	SMD RES.	1/10W 100K J	R403	VE-30000659	SMD RES.	1/10W 330R J
R014	VE-30000477	CF RES.	1/4W 100K J	R404	VE-30000688	SMD RES.	1/10W 390R J
R015	VE-30000480	SMD RES.	1/10W 100K J	R405	VE-30000469	SMD RES.	1/10W 1K J
R040	VE-30000797	SMD RES.	1/10W 75R J	R407	VE-30000459	CF RES.	1/4W 100R J
R041	VE-30000797	SMD RES.	1/10W 75R J	R418	VE-30000735	SMD RES.	1/10W 4.7K J
R044	VE-30000459	CF RES.	1/4W 100R J	R419	VE-30000710	SMD RES.	1/10W 47R J
R045	VE-30000524	SMD RES.	1/10W 150R J	R420	VE-30000593	SMD RES.	1/10W 2.2K J
R049	VE-30000717	SMD RES.	1/10W 470R J	R421	VE-30000499	SMD RES.	1/10W 1.2K J
R050	VE-30000464	SMD RES.	1/10W 100R J	R422	VE-30000558	SMD RES.	1/10W 180R J
R051	VE-30000464	SMD RES.	1/10W 100R J	R426	VE-30000659	SMD RES.	1/10W 330R J
R065	VE-30000797	SMD RES.	1/10W 75R J	R428	VE-30000650	CF RES.	1/4W 33R J
R066	VE-30000774	SMD RES.	1/10W 680R J	R429	VE-30000524	SMD RES.	1/10W 150R J
R067	VE-30000469	SMD RES.	1/10W 1K J	R431	VE-30000459	CF RES.	1/4W 100R J
R068	VE-30000774	SMD RES.	1/10W 680R J	R432	VE-30000459	CF RES.	1/4W 100R J
R069	VE-30000469	SMD RES.	1/10W 1K J	R433	VE-30000475	SMD RES.	1/10W 10K J
R070	VE-30000588	SMD RES.	1/10W 220R J	R437	VE-30000469	SMD RES.	1/10W 1K J
R071	VE-30000588	SMD RES.	1/10W 220R J	R438	VE-30000499	SMD RES.	1/10W 1.2K J
R072	VE-30000588	SMD RES.	1/10W 220R J	R439	VE-30000499	SMD RES.	1/10W 1.2K J
R073	VE-30000797	SMD RES.	1/10W 75R J	R440	VE-30000499	SMD RES.	1/10W 1.2K J
R075	VE-30000653	SMD RES.	1/10W 33R J	R446	VE-30000480	SMD RES.	1/10W 100K J
R078	VE-30000774	SMD RES.	1/10W 680R J	R447	VE-30000464	SMD RES.	1/10W 100R J
R079	VE-30000469	SMD RES.	1/10W 1K J	R448	VE-30000466	CF RES.	1/4W 1K J
R080	VE-30000774	SMD RES.	1/10W 680R J	R449	VE-30000489	SMD RES.	1/10W 1R J
R081	VE-30000469	SMD RES.	1/10W 1K J	R450	VE-30000631	SMD RES.	1/10W 2.7K J
R082	VE-30000469	SMD RES.	1/10W 1K J	R451	VE-30000633	CF RES.	1/4W 27K J
R083	VE-30000653	SMD RES.	1/10W 33R J	R452	VE-30000309	SMD CAP.	2.2NF 50V K R
R084	VE-30000710	SMD RES.	1/10W 47R J	R453	VE-30000606	SMD RES.	1/10W 2.2K J
R094	VE-30000475	SMD RES.	1/10W 10K J	R454	VE-30000534	SMD RES.	1/10W 15K J
R095	VE-30000475	SMD RES.	1/10W 10K J	R455	VE-30000650	CF RES.	1/4W 33R J
R096	VE-30000475	SMD RES.	1/10W 10K J	R456	VE-30000550	SMD RES.	1/10W 160K J
R097	VE-30000529	SMD RES.	1/10W 1.5K J	R457	VE-30000606	SMD RES.	1/10W 2.2K J
R098	VE-30000475	SMD RES.	1/10W 10K J	R458	VE-30000732	SMD RES.	1/10W 470K J
R099	VE-30000475	SMD RES.	1/10W 10K J	R459	VE-30000697	SMD RES.	1/10W 39K G
R100	VE-30000727	SMD RES.	1/10W 47K J	R460	VE-30000770	CF RES.	1/4W 680R J
R101	VE-30000471	CF RES.	1/4W 10K J	R465	VE-30006658	SMD RES.	1/10W 82R J
R102	VE-30000747	SMD RES.	1/10W 560R J	R474	VE-30000597	SMD RES.	1/10W 22K J
R103	VE-30000710	SMD RES.	1/10W 47R J	R475	VE-30000475	SMD RES.	1/10W 10K J
R104	VE-30000457	SMD RES.	1/10W 10R J	R486	VE-30000721	SMD RES.	1/10W 4.7K J
R105	VE-30000457	SMD RES.	1/10W 10R J	R488	VE-30000471	CF RES.	1/4W 10K J
R106	VE-30000567	SMD RES.	1/10W 18K J	R492	VE-30000588	SMD RES.	1/10W 220R J
R108	VE-30000564	CF RES.	1/4W 18K J	R493	VE-30000588	SMD RES.	1/10W 220R J
R200	VE-30000503	SMD RES.	1/10W 12K J	R494	VE-30000526	CF RES.	1/4W 1.5K J
R201	VE-30000723	CF RES.	1/4W 47K J	R498	VE-30000563	SMD RES.	1/10W 1.8K J
R202	VE-30000459	CF RES.	1/4W 100R J	R500	VE-30000469	SMD RES.	1/10W 1K J
R203	VE-30000471	CF RES.	1/4W 10K J	R502	VE-30000469	SMD RES.	1/10W 1K J
R208	VE-30000459	CF RES.	1/4W 100R J	R503	VE-30000469	SMD RES.	1/10W 1K J
R209	VE-30000459	CF RES.	1/4W 100R J	R507	VE-30000469	SMD RES.	1/10W 1K J
R213	VE-30000597	SMD RES.	1/10W 22K J	R512	VE-30000727	SMD RES.	1/10W 47K J
R300	VE-30000529	SMD RES.	1/10W 1.5K J	R513	VE-30000727	SMD RES.	1/10W 47K J
R303	VE-30000469	SMD RES.	1/10W 1K J	R514	VE-30000727	SMD RES.	1/10W 47K J
R304	VE-30000717	SMD RES.	1/10W 470R J	R515	VE-30000727	SMD RES.	1/10W 47K J
R305	VE-30000717	SMD RES.	1/10W 470R J	R516	VE-30000464	SMD RES.	1/10W 100R J
R306	VE-30000464	SMD RES.	1/10W 100R J	R517	VE-30000464	SMD RES.	1/10W 100R J
R307	VE-30000464	SMD RES.	1/10W 100R J	R523	VE-30000475	SMD RES.	1/10W 10K J
R308	VE-30000464	SMD RES.	1/10W 100R J	R524	VE-30000475	SMD RES.	1/10W 10K J
R309	VE-30000660	CF RES.	1/4W 3.3K J	R527	VE-30000721	SMD RES.	1/10W 4.7K J
R310	VE-30000660	CF RES.	1/4W 3.3K J	R528	VE-30000560	CF RES.	1/4W 1.8K J
R311	VE-30000531	CF RES.	1/4W 15K J	R529	VE-30000560	CF RES.	1/4W 1.8K J
R313	VE-30000534	SMD RES.	1/10W 15K J	R530	VE-30000560	CF RES.	1/4W 1.8K J
R314	VE-30000534	SMD RES.	1/10W 15K J	R532	VE-30000475	SMD RES.	1/10W 10K J
R315	VE-30000534	SMD RES.	1/10W 15K J	R533	VE-30000721	SMD RES.	1/10W 4.7K J
R341	VE-30000524	SMD RES.	1/10W 150R J	R535	VE-30000721	SMD RES.	1/10W 4.7K J
R343	VE-30001248	FUSE RES.	1/4W 4.7R J	R537	VE-30000593	SMD RES.	1/10W 2.2K J
R359	VE-30000464	SMD RES.	1/10W 100R J	R538	VE-30000475	SMD RES.	1/10W 10K J
R360	VE-30000464	SMD RES.	1/10W 100R J	R539	VE-30000475	SMD RES.	1/10W 10K J

[AV28BT5ENS / AV28BT5ENB]

△ Symbol No.	Part No.	Part Name	Description
RESISTOR			
R540	VE-30000818	SMD RES.	1/10W 8.2K J
R541	VE-30000721	SMD RES.	1/10W 4.7K J
R542	VE-30000721	SMD RES.	1/10W 4.7K J
R543	VE-30000717	SMD RES.	1/10W 470R J
R548	VE-30000721	SMD RES.	1/10W 4.7K J
R549	VE-30000531	CF RES.	1/4W 15K J
R550	VE-30000721	SMD RES.	1/10W 4.7K J
R551	VE-30000475	SMD RES.	1/10W 10K J
R552	VE-30000593	SMD RES.	1/10W 2.2K J
R554	VE-30000815	CF RES.	1/4W 8.2K J
R556	VE-30000567	SMD RES.	1/10W 18K J
R559	VE-30000588	SMD RES.	1/10W 220R J
R560	VE-30000469	SMD RES.	1/10W 1K J
R561	VE-30000692	SMD RES.	1/10W 3.9K J
R562	VE-30000471	CF RES.	1/4W 10K J
R563	VE-30000471	CF RES.	1/4W 10K J
R564	VE-30000475	SMD RES.	1/10W 10K J
R565	VE-30000475	SMD RES.	1/10W 10K J
R566	VE-30010167	SMD RES.	1/10W 56R J
R568	VE-30000475	SMD RES.	1/10W 10K J
R569	VE-30000459	CF RES.	1/4W 100R J
R570	VE-30000531	CF RES.	1/4W 15K J
R571	VE-30000466	CF RES.	1/4W 1K J
R572	VE-30000475	SMD RES.	1/10W 10K J
R573	VE-30000721	SMD RES.	1/10W 4.7K J
R574	VE-30000692	SMD RES.	1/10W 3.9K J
R578	VE-30000475	SMD RES.	1/10W 10K J
R579	VE-30000721	SMD RES.	1/10W 4.7K J
R580	VE-30000464	SMD RES.	1/10W 100R J
R581	VE-30000588	SMD RES.	1/10W 220R J
R582	VE-30000464	SMD RES.	1/10W 100R J
R583	VE-30000475	SMD RES.	1/10W 10K J
R584	VE-30000563	SMD RES.	1/10W 1.8K J
R586	VE-30000480	SMD RES.	1/10W 100K J
R587	VE-30000712	CF RES.	1/4W 470R J
R590	VE-30000721	SMD RES.	1/10W 4.7K J
R594	VE-30000475	SMD RES.	1/10W 10K J
R595	VE-30000475	SMD RES.	1/10W 10K J
R596	VE-30000475	SMD RES.	1/10W 10K J
R601	VE-30000718	CF RES.	1/4W 4.7K J
R602	VE-30000464	SMD RES.	1/10W 100R J
R605	VE-30000466	CF RES.	1/4W 1K J
R606	VE-30000704	CF RES.	1/4W 43K J
R608	VE-30001235	FUSE RES.	1/2W 0.33R J
R610	VE-30001171	MO RES.	2W 4.7K J
△ R611	VE-30001215	FUSE RES.	1W 1R J
R613	VE-30000815	CF RES.	1/4W 8.2K J
R614	VE-30000775	CF RES.	1/4W 6.8K J
R615	VE-30000815	CF RES.	1/4W 8.2K J
R617	VE-30000775	CF RES.	1/4W 6.8K J
R618	VE-30000464	SMD RES.	1/10W 100R J
R619	VE-30000815	CF RES.	1/4W 8.2K J
R620	VE-30001082	MO RES.	1/2W 1K J
R621	VE-30000459	CF RES.	1/4W 100R J
R626	VE-30000466	CF RES.	1/4W 1K J
△ R628	VE-30001228	FUSE RES.	1/2W 2.2R J
△ R629	VE-30001232	FUSE RES.	1/4W 2.7R J
R630	VE-30001082	MO RES.	1/2W 1K J
R631	VE-30001171	MO RES.	2W 4.7K J
R639	VE-30000542	SMD RES.	1/10W 1.5M J
R700	VE-30000466	CF RES.	1/4W 1K J
R703	VE-30000860	MF RES.	1/4W 1R F
△ R704	VE-30001251	FUSE RES.	1/2W 56R J
R705	VE-30000580	CF RES.	1/4W 22R J
R706	VE-30000949	MF RES.	1/4W 3K G
R707	VE-30000712	CF RES.	1/4W 470R J
R708	VE-30000469	SMD RES.	1/10W 1K J
R709	VE-30000475	SMD RES.	1/10W 10K J
R710	VE-30000718	CF RES.	1/4W 4.7K J
R711	VE-30000500	CF RES.	1/4W 12K J
R714	VE-30000459	CF RES.	1/4W 100R J
R715	VE-30000459	CF RES.	1/4W 100R J
R716	VE-30000466	CF RES.	1/4W 1K J
R717	VE-30000712	CF RES.	1/4W 470R J
R805	VE-30000633	CF RES.	1/4W 27K J
R806	VE-30001129	MO RES.	3W 22K J

△ Symbol No.	Part No.	Part Name	Description
RESISTOR			
R807	VE-30000466	CF RES.	1/4W 1K J
R808	VE-30000818	SMD RES.	1/10W 8.2K J
R809	VE-30000469	SMD RES.	1/10W 1K J
R810	VE-30000597	SMD RES.	1/10W 22K J
R811	VE-30000597	SMD RES.	1/10W 22K J
R812	VE-30000519	CF RES.	1/4W 150R J
R813	VE-30000475	SMD RES.	1/10W 10K J
R814	VE-30000706	CF RES.	1/4W 47R J
R816	VE-30000540	CF RES.	1/2W 1.5M J (400V)
R818	VE-30000466	CF RES.	1/4W 1K J
R821	VE-30000602	SMD RES.	1/10W 220K J
R822	VE-30001156	MO RES.	5W 33K J
R823	VE-30000513	SMD RES.	1/4W 22K J
R824	VE-30000572	CF RES.	1/4W 2K J
R828	VE-30007759	CF RES.	1W 47K J
R829	VE-30000469	SMD RES.	1/10W 1K J
R831	VE-30000471	CF RES.	1/4W 10K J
R832	VE-30000721	SMD RES.	1/10W 4.7K J
R833	VE-30000710	SMD RES.	1/10W 47R J
R834	VE-30000818	SMD RES.	1/10W 8.2K J
R835	VE-30000580	CF RES.	1/4W 22R J
R836	VE-30000706	CF RES.	1/4W 47R J
R844	VE-30000471	CF RES.	1/4W 10K J
△ R845	VE-30001257	RES MG	1/2W 4.7M J
R849	VE-30000534	SMD RES.	1/10W 15K J
R850	VE-30000569	CF RES.	1/4W 180K J
R858	VE-30000712	CF RES.	1/4W 470R J
R868	VE-30000810	CF RES.	1/4W 820R J
R869	VE-30000810	CF RES.	1/4W 820R J
R870	VE-30001131	MO RES.	1W 0.22R J
R871	VE-30000471	CF RES.	1/4W 10K J
R872	VE-30007786	SMD RES.	1/10W 2.55K F
R873	VE-30012852	SMD RES.	1/10W 3.9K F
R879	VE-30000718	CF RES.	1/4W 4.7K J
R885	VE-30000475	SMD RES.	1/10W 10K J
R886	VE-30000475	SMD RES.	1/10W 10K J
R888	VE-30000503	SMD RES.	1/10W 12K J
R890	VE-30001089	MO RES.	2W 1R J
R891	VE-30000466	CF RES.	1/4W 1K J
R892	VE-30000531	CF RES.	1/4W 15K J
R893	VE-30000477	CF RES.	1/4W 100K J
R894	VE-30000660	CF RES.	1/4W 3.3K J
R895	VE-30000638	CF RES.	1/4W 270K J
CAPACITOR			
C001	VE-30000375	EL CAP.	220UF 16V M
C01	VE-30000332	SMD CAP.	4.7NF 50V K
C010	VE-30000294	SMD CAP.	100NF 50V K
C011	VE-30000294	SMD CAP.	100NF 50V K
C012	VE-30000294	SMD CAP.	100NF 50V K
C013	VE-30000375	EL CAP.	220UF 16V M
C02	VE-30000332	SMD CAP.	4.7NF 50V K
C028	VE-30000352	EL CAP.	100UF 16V M
C029	VE-30000294	SMD CAP.	100NF 50V K
C03	VE-30000332	SMD CAP.	4.7NF 50V K
C030	VE-30000294	SMD CAP.	100NF 50V K
C031	VE-30000294	SMD CAP.	100NF 50V K
C032	VE-30000294	SMD CAP.	100NF 50V K
C04	VE-30000332	SMD CAP.	4.7NF 50V K
C051	VE-30000315	SMD CAP.	220NF 25V Z
C052	VE-30000294	SMD CAP.	100NF 50V K
C053	VE-30000315	SMD CAP.	220NF 25V Z
C054	VE-30000315	SMD CAP.	220NF 25V Z
C059	VE-30000300	SMD CAP.	1.5NF 50V K
C060	VE-30000300	SMD CAP.	1.5NF 50V K
C061	VE-30000242	SMD CAP.	330PF 50V J
C062	VE-30000242	SMD CAP.	330PF 50V J
C064	VE-30000300	SMD CAP.	1.5NF 50V K
C065	VE-30000300	SMD CAP.	1.5NF 50V K
C066	VE-30000242	SMD CAP.	330PF 50V J
C067	VE-30000242	SMD CAP.	330PF 50V J
C068	VE-30000345	EL CAP.	10UF 50V M
C071	VE-30000315	SMD CAP.	220NF 25V Z
C072	VE-30000294	SMD CAP.	100NF 50V K

[AV28BT5ENS / AV28BT5ENB]

△ Symbol No.	Part No.	Part Name	Description	△ Symbol No.	Part No.	Part Name	Description
CAPACITOR				CAPACITOR			
C073	VE-30000294	SMD CAP.	100NF 50V K	C400	VE-30000294	SMD CAP.	100NF 50V K
C095	VE-30000289	SMD CAP.	10NF 50V K R	C401	VE-30000371	EL CAP.	22UF 50V M
C097	VE-30000189	SMD CAP.	100PF 50V J	C402	VE-30000345	EL CAP.	10UF 50V M
C098	VE-30000224	SMD CAP.	220PF 50V J	C403	VE-30000074	MKT CAP.	100NF 63V J
C099	VE-30000189	SMD CAP.	100PF 50V J	C403	VE-30000294	SMD CAP.	100NF 50V K
C101	VE-30000336	SMD CAP.	5.6NF 50V K	C404	VE-30000284	SMD CAP.	1NF 50V K R
C102	VE-30000345	EL CAP.	10UF 50V M	C405	VE-30000345	EL CAP.	10UF 50V M
C107	VE-30000336	SMD CAP.	5.6NF 50V K	C405	VE-30000294	SMD CAP.	100NF 50V K
C108	VE-30000312	SMD CAP.	22NF 50V K	C406	VE-30000313	CER CAP.	22NF 50V Z F
C109	VE-30000332	SMD CAP.	4.7NF 50V K	C406	VE-30000284	SMD CAP.	1NF 50V K R
C110	VE-30000312	SMD CAP.	22NF 50V K	C407	VE-30000384	EL CAP.	2.2UF 50V M
C111	VE-30000332	SMD CAP.	4.7NF 50V K	C407	VE-30000284	SMD CAP.	1NF 50V K R
C112	VE-30000109	MKT CAP.	470NF 63V J	C408	VE-30000283	CER CAP.	1NF 50V K B
C113	VE-30000109	MKT CAP.	470NF 63V J	C409	VE-30000334	SMD CAP.	47NF 50V K
C116	VE-30000082	MKT CAP.	15NF 63V J	C410	VE-30000345	EL CAP.	10UF 50V M
C117	VE-30000082	MKT CAP.	15NF 63V J	C411	VE-30000334	SMD CAP.	47NF 50V K
C201	VE-30000352	EL CAP.	100UF 16V M	C412	VE-30000312	SMD CAP.	22NF 50V K
C203	VE-30000345	EL CAP.	10UF 50V M	C413	VE-30000375	EL CAP.	220UF 16V M
C204	VE-30000345	EL CAP.	10UF 50V M	C416	VE-30000312	SMD CAP.	22NF 50V K
C211	VE-30000294	SMD CAP.	100NF 50V K	C417	VE-30000312	SMD CAP.	22NF 50V K
C212	VE-30000190	CER CAP.	100PF 50V J CH	C418	VE-30000312	SMD CAP.	22NF 50V K
C279	VE-30000263	SMD CAP.	56PF 50V J CH	C419	VE-30000315	SMD CAP.	220NF 25V Z
C301	VE-30000216	SMD CAP.	1.8PF 50V J CH	C421	VE-30000220	SMD CAP.	22PF 50V J
C302	VE-30000216	SMD CAP.	1.8PF 50V J CH	C422	VE-30000220	SMD CAP.	22PF 50V J
C304	VE-30000289	SMD CAP.	10NF 50V K R	C423	VE-30000322	SMD CAP.	3.3NF 50V K
C306	VE-30000345	EL CAP.	10UF 50V M	C424	VE-30000294	SMD CAP.	100NF 50V K
C307	VE-30000294	SMD CAP.	100NF 50V K	C425	VE-30000312	SMD CAP.	22NF 50V K
C308	VE-30000074	MKT CAP.	100NF 63V J	C426	VE-30000353	EL CAP.	100UF 25V M
C309	VE-30000345	EL CAP.	10UF 50V M	C427	VE-30000294	SMD CAP.	100NF 50V K
C316	VE-30000284	SMD CAP.	1NF 50V K R	C428	VE-30000345	EL CAP.	10UF 50V M
C317	VE-30000284	SMD CAP.	1NF 50V K R	C430	VE-30000289	SMD CAP.	10NF 50V K R
C318	VE-30000074	MKT CAP.	100NF 63V J	C431	VE-30000362	EL CAP.	1UF 50V M
C319	VE-30000393	EL CAP.	3.3UF 50V M	C433	VE-30000284	SMD CAP.	1NF 50V K R
C320	VE-30000294	SMD CAP.	100NF 50V K	C434	VE-30000284	SMD CAP.	1NF 50V K R
C321	VE-30000345	EL CAP.	10UF 50V M	C435	VE-30000074	MKT CAP.	100NF 63V J
C322	VE-30000345	EL CAP.	10UF 50V M	C436	VE-30000074	MKT CAP.	100NF 63V J
C323	VE-30000345	EL CAP.	10UF 50V M	C437	VE-30000362	EL CAP.	1UF 50V M
C326	VE-30000371	EL CAP.	22UF 50V M	C438	VE-30000312	SMD CAP.	22NF 50V K
C327	VE-30000371	EL CAP.	22UF 50V M	C439	VE-30000284	SMD CAP.	1NF 50V K R
C328	VE-30000284	SMD CAP.	1NF 50V K R	C440	VE-30000345	EL CAP.	10UF 50V M
C329	VE-30000284	SMD CAP.	1NF 50V K R	C446	VE-30000252	SMD CAP.	47PF 50V J
C330	VE-30000284	SMD CAP.	1NF 50V K R	C447	VE-30000252	SMD CAP.	47PF 50V J
C331	VE-30000284	SMD CAP.	1NF 50V K R	C448	VE-30000189	SMD CAP.	100PF 50V J
C332	VE-30000417	EL CAP.	6.8UF 50V M	C450	VE-30000294	SMD CAP.	100NF 50V K
C333	VE-30000294	SMD CAP.	100NF 50V K	C459	VE-30000332	SMD CAP.	4.7NF 50V K
C334	VE-30000345	EL CAP.	10UF 50V M	C465	VE-30000300	SMD CAP.	1.5NF 50V K
C335	VE-30000252	SMD CAP.	47PF 50V J	C490	VE-30000284	SMD CAP.	1NF 50V K R
C336	VE-30000252	SMD CAP.	47PF 50V J	C497	VE-30000300	SMD CAP.	1.5NF 50V K
C338	VE-30000371	EL CAP.	22UF 50V M	C498	VE-30000189	SMD CAP.	100PF 50V J
C339	VE-30000256	SMD CAP.	470PF 50V J	C499	VE-30000300	SMD CAP.	1.5NF 50V K
C340	VE-30000100	MKT CAP.	330NF 63V J	C505	VE-30000294	SMD CAP.	100NF 50V K
C341	VE-30000256	SMD CAP.	470PF 50V J	C513	VE-30000294	SMD CAP.	100NF 50V K
C342	VE-30000100	MKT CAP.	330NF 63V J	C514	VE-30000345	EL CAP.	10UF 50V M
C343	VE-30000224	SMD CAP.	220PF 50V J	C516	VE-30000371	EL CAP.	22UF 50V M
C344	VE-30000100	MKT CAP.	330NF 63V J	C517	VE-30000352	EL CAP.	100UF 16V M
C346	VE-30000224	SMD CAP.	220PF 50V J	C521	VE-30000109	MKT CAP.	470NF 63V J
C347	VE-30000371	EL CAP.	22UF 50V M	C524	VE-30000237	SMD CAP.	33PF 50V J
C348	VE-30000224	SMD CAP.	220PF 50V J	C525	VE-30000237	SMD CAP.	33PF 50V J
C349	VE-30000100	MKT CAP.	330NF 63V J	C526	VE-30000294	SMD CAP.	100NF 50V K
C350	VE-30000224	SMD CAP.	220PF 50V J	C530	VE-30000294	SMD CAP.	100NF 50V K
C351	VE-30000100	MKT CAP.	330NF 63V J	C531	VE-30000294	SMD CAP.	100NF 50V K
C352	VE-30000224	SMD CAP.	220PF 50V J	C532	VE-30000294	SMD CAP.	100NF 50V K
C353	VE-30000100	MKT CAP.	330NF 63V J	C533	VE-30000294	SMD CAP.	100NF 50V K
C355	VE-30000284	SMD CAP.	1NF 50V K R	C537	VE-30000294	SMD CAP.	100NF 50V K
C357	VE-30000294	SMD CAP.	100NF 50V K	C538	VE-30000294	SMD CAP.	100NF 50V K
C358	VE-30000345	EL CAP.	10UF 50V M	C570	VE-30000371	EL CAP.	22UF 50V M
C364	VE-30000284	SMD CAP.	1NF 50V K R	C571	VE-30000371	EL CAP.	22UF 50V M
C365	VE-30000384	EL CAP.	2.2UF 50V M	C572	VE-30000371	EL CAP.	22UF 50V M
C366	VE-30000294	SMD CAP.	100NF 50V K	C573	VE-30000371	EL CAP.	22UF 50V M
C368	VE-30000294	SMD CAP.	100NF 50V K	C576	VE-30000201	SMD CAP.	15PF 50V J
C369	VE-30000294	SMD CAP.	100NF 50V K	C577	VE-30000201	SMD CAP.	15PF 50V J
C370	VE-30000384	EL CAP.	2.2UF 50V M	C580	VE-30000387	EL CAP.	33UF 50V M
C371	VE-30000109	MKT CAP.	470NF 63V J	C583	VE-30000294	SMD CAP.	100NF 50V K
C373	VE-30000371	EL CAP.	22UF 50V M	C590	VE-30000294	SMD CAP.	100NF 50V K
C374	VE-30000294	SMD CAP.	100NF 50V K	C596	VE-30000289	SMD CAP.	10NF 50V K R
C379	VE-30000294	SMD CAP.	100NF 50V K	C597	VE-30000289	SMD CAP.	10NF 50V K R
C385	VE-30000294	SMD CAP.	100NF 50V K	C598	VE-30000289	SMD CAP.	10NF 50V K R

[AV28BT5ENS / AV28BT5ENB]

Symbol No.	Part No.	Part Name	Description
CAPACITOR			
C599	VE-30000334	SMD CAP.	47NF 50V K
C600	VE-30000289	SMD CAP.	10NF 50V K R
C601	VE-30000355	EL CAP.	100UF 50V M
C603	VE-30000309	SMD CAP.	2.2NF 50V K R
C604	VE-30000107	MKT CAP.	47NF 250V J
C605	VE-30000075	MKT CAP.	100NF 250V K (DC)
C606	VE-30000406	EL CAP.	47UF 250V M (HR)
C607	VE-30000407	EL CAP.	470UF 16V M
C608	VE-30009206	SMD CAP.	15NF 50V K R
C610	VE-30000123	PP CAP.	33NF 630V K
C611	VE-30000143	MKP CAP.	2.2NF 2KV 3.5
C612	VE-30000356	EL CAP.	100UF 63V M
C613	VE-30000121	CAP KP	27NF 630V J
C617	VE-30000172	MKP CAP.	680NF 250V J (P=15)
C618	VE-30000078	MKT CAP.	1UF 100V M
C620	VE-30000433	CER CAP.	1NF 1KV M B
C621	VE-30000078	MKT CAP.	1UF 100V M
C625	VE-30000315	SMD CAP.	220NF 25V Z
C626	VE-30000180	MKP CAP.	9.1NF 2000V 3.5
C627	VE-30000340	SMD CAP.	6.8NF 50V K
C630	VE-30000156	MKP CAP.	430NF 250V J
C632	VE-30016086	EL CAP.	1000UF 25V 105°
C650	VE-30000280	SMD CAP.	820PF 50V J
C660	VE-30009208	CER CAP.	470PF 1KV K (PULSE)
C661	VE-30009208	CER CAP.	470PF 1KV K (PULSE)
C700	VE-30000190	CER CAP.	100PF 50V J CH
C702	VE-30000356	EL CAP.	100UF 63V M
C704	VE-30016085	EL CAP.	10UF 63V 105°
C705	VE-30000071	MKT CAP.	10NF 63V J
C706	VE-30000092	MKT CAP.	220NF 63V J
C707	VE-30000069	MKT CAP.	1NF 100V J
C708	VE-30000189	SMD CAP.	100PF 50V J
C709	VE-30000294	SMD CAP.	100NF 50V K
C715	VE-30000189	SMD CAP.	100PF 50V J
△ C801	VE-30000084	MKT CAP.	150NF 275V M AC P=15
△ C802	VE-30000084	MKT CAP.	150NF 275V M AC P=15
C803	VE-30000189	SMD CAP.	100PF 50V J
C804	VE-30000421	EL CAP.	220UF 400V M (FOR 28'')
C806	VE-30000342	CER CAP.	820PF 50V K B
C807	VE-30000074	MKT CAP.	100NF 63V J
C808	VE-30000284	SMD CAP.	1NF 50V K R
C809	VE-30000309	SMD CAP.	2.2NF 50V K R
C810	VE-30000076	MKT CAP.	100NF 275V M AC
C811	VE-30000161	MKP CAP.	47NF 630V J
C813	VE-30000411	EL CAP.	4700UF 16V M
C814	VE-30000294	SMD CAP.	100NF 50V K
C816	VE-30000295	CER CAP.	100NF 50V Z F
C817	VE-30000359	EL CAP.	1000UF 16V M
C819	VE-30000295	CER CAP.	100NF 50V Z F
C821	VE-30007308	CER CAP.	220PF 1KV K (PULSE)
C822	VE-30000295	CER CAP.	100NF 50V Z F
C823	VE-30000383	EL CAP.	2200UF 25V M
C824	VE-30007308	CER CAP.	220PF 1KV K (PULSE)
C825	VE-30000295	CER CAP.	100NF 50V Z F
C826	VE-30000383	EL CAP.	2200UF 25V M
C827	VE-30007308	CER CAP.	220PF 1KV K (PULSE)
C828	VE-30000359	EL CAP.	1000UF 16V M
C829	VE-30000406	EL CAP.	47UF 250V M (HR)
C830	VE-30000295	CER CAP.	100NF 50V Z F
C831	VE-30000198	CER CAP.	120PF 500V J SL
C832	VE-30000294	SMD CAP.	100NF 50V K
C835	VE-30007308	CER CAP.	220PF 1KV K (PULSE)
C845	VE-30000375	EL CAP.	220UF 16V M
C846	VE-30000433	CER CAP.	1NF 1KV M B
C847	VE-30000375	EL CAP.	220UF 16V M
C848	VE-30000353	EL CAP.	100UF 25V M
C850	VE-30000433	CER CAP.	1NF 1KV M B
C851	VE-30000433	CER CAP.	1NF 1KV M B
C852	VE-30000433	CER CAP.	1NF 1KV M B
C853	VE-30000289	SMD CAP.	10NF 50V K R
C854	VE-30008805	MKT CAP.	39NF 63V J
C855	VE-30000284	SMD CAP.	1NF 50V K R
△ C860	VE-30000440	CER CAP.	2.2NF 4KV M
C865	VE-30000440	CER CAP.	2.2NF 4KV M
C890	VE-30000396	EL CAP.	47UF 16V M
C891	VE-30000335	CER CAP.	47NF 50V Z F
C892	VE-30000295	CER CAP.	100NF 50V Z F

Symbol No.	Part No.	Part Name	Description
COIL			
L001	VE-30002016	FIXED COIL	150UH Q60 K
L002	VE-30010964	FERRITE BEAT	
L050	VE-30002015	FIXED COIL	150UH Q50 K (RAD)
L051	VE-30002015	FIXED COIL	150UH Q50 K (RAD)
L054	VE-30010964	FERRITE BEAT	
L201	VE-30001979	FIXED COIL	1UH Q45 M-A
L202	VE-30010964	FERRITE BEAT	
L301	VE-30001987	FIXED COIL	4.7UH Q70 K-A
L302	VE-30001987	FIXED COIL	4.7UH Q70 K-A
L303	VE-30001987	FIXED COIL	4.7UH Q70 K-A
L304	VE-30001986	FIXED COIL	3.3UH Q65 K
L306	VE-30002002	FIXED COIL	47UH Q60 K
L307	VE-30002002	FIXED COIL	47UH Q60 K
L308	VE-30002002	FIXED COIL	47UH Q60 K
L309	VE-30002002	FIXED COIL	47UH Q60 K
L402	VE-30001986	FIXED COIL	3.3UH Q65 K
L403	VE-30001990	FIXED COIL	6.8UH Q75 K
L405	VE-30001992	FIXED COIL	10UH Q65 K-A
L406	VE-30001992	FIXED COIL	10UH Q65 K-A
L407	VE-30001992	FIXED COIL	10UH Q65 K-A
L502	VE-30001992	FIXED COIL	10UH Q65 K-A
L504	VE-30001992	FIXED COIL	10UH Q65 K-A
L505	VE-30001992	FIXED COIL	10UH Q65 K-A
L506	VE-30001992	FIXED COIL	10UH Q65 K-A
L515	VE-30001992	FIXED COIL	10UH Q65 K-A
L602	VE-30002026	FIXED COIL	1MH
L603	VE-30002156	LINEARITY COIL	30UH
L604	VE-30002031	FIXED COIL	15MH
L605	VE-30001999	FIXED COIL	40UH
L801	VE-30001984	FIXED COIL	2.2UH
L803	VE-30002011	CHOKE COIL	150UH
DIODE			
D001	VE-30001284	DIODE	
D002	VE-30001284	DIODE	
D003	VE-30001284	DIODE	
D004	VE-30001284	DIODE	
D100	VE-30001284	DIODE	
D201	VE-30001284	DIODE	
D301	VE-30001369	DIODE ZENER	
D302	VE-30001284	DIODE	
D408	VE-30001347	DIODE ZENER	
D420	VE-30001285	DIODE	
D500	VE-30012412	DIODE ZENER	
D503	VE-30001284	DIODE	
D504	VE-30001284	DIODE	
D505	VE-30012412	DIODE ZENER	
D509	VE-30001284	DIODE	
D555	VE-30001285	DIODE	
D583	VE-30001284	DIODE	
D601	VE-30001318	DIODE	
D602	VE-30001285	DIODE	
D603	VE-30001284	DIODE	
D604	VE-30001377	DIODE ZENER	
D605	VE-30001318	DIODE	
D606	VE-30001318	DIODE	
D607	VE-30001285	DIODE	
D608	VE-30001284	DIODE	
D609	VE-30001318	DIODE	
D611	VE-30001323	DIODE	
D612	VE-30001320	DIODE	
D698	VE-30001318	DIODE	
D701	VE-30001284	DIODE	
D801	VE-30001329	DIODE	
D802	VE-30001329	DIODE	
D803	VE-30001329	DIODE	
D804	VE-30001329	DIODE	
D805	VE-30001318	DIODE	
D807	VE-30001318	DIODE	
D811	VE-30001315	DIODE	
D812	VE-30001315	DIODE	
D813	VE-30001288	DIODE	
D814	VE-30001307	DIODE	
D815	VE-30001307	DIODE	
D816	VE-30007681	DIODE	

[AV28BT5ENS / AV28BT5ENB]

Symbol No.	Part No.	Part Name	Description
DIODE			
D818	VE-30001318	DIODE	
D819	VE-30001349	DIODE ZENER	
D823	VE-30001284	DIODE	
D826	VE-30001318	DIODE	
D827	VE-30001318	DIODE	
D858	VE-30001371	DIODE ZENER	
D864	VE-30001285	DIODE	
D890	VE-30001284	DIODE	

TRANSISTOR

Q001	VE-30001455	TR	
Q055	VE-30001454	TR	
Q100	VE-30001454	TR	
Q301	VE-30001455	TR	
Q402	VE-30001454	TR	
Q406	VE-30001454	TR	
Q407	VE-30001454	TR	
Q415	VE-30001454	TR	
Q420	VE-30001454	TR	
Q503	VE-30001455	TR	
Q512	VE-30001455	TR	
Q514	VE-30001454	TR	
Q515	VE-30001454	TR	
Q516	VE-30001454	TR	
Q517	VE-30001454	TR	
Q518	VE-30001454	TR	
Q601	VE-30001455	TR	
Q603	VE-20000963	HE. ASY.19-E/W 110°	
Q604	VE-30001435	TR	
Q605	VE-30001441	TR	
Q701	VE-30001455	TR	
Q702	VE-30001454	TR	
Q802	VE-20073672	HE. ASY.19-SMPS 110° 170-270V (PLASTIK)JVC	
Q805	VE-30001454	TR	
Q806	VE-30001454	TR	
Q807	VE-30001454	TR	
Q809	VE-30001506	IC	
Q810	VE-30001384	TR	
Q890	VE-30001428	TR	

IC

IC050	VE-30001619	IC	
IC301	VE-30001664	IC	
IC307	VE-30001495	IC	
IC401	VE-30001577	IC	
IC501	VE-20075294	IC	CPU
IC502	VE-20073442	IC	MEMORY
IC701	VE-30002736	IC	
△ IC801	VE-30007069	IC	
IC802	VE-30001499	IC	
IC804	VE-20058533	IC	
IC805	VE-30001500	IC	
IC807	VE-30001622	IC	

OTHERS

△ F801	VE-20000848	FUSE ASSY	(2.5A)
J129	VE-30001997	FIXED COIL	33UH Q60 J
J314	VE-20058569	MD.ASY.PR19Y-11PR19Y(PROTECT.CIR.)110°	
J500	VE-30010964	FERRITE BEAT	
J616	VE-30006712	FERRITE BEAD	
PL002	VE-30001912	PIN F 5P/2.5MM (11.5MM)	
PL892	VE-30007118	PIN F 2P/7.5MM	
PL893	VE-30007118	PIN F 2P/7.5MM	
TH801	VE-30001268	THERMISTOR 3P	
△ TR601	VE-30002090	LINE DRIVER	
△ TR602	VE-30002054	TRF	
△ TR801	VE-30002103	LINE FILTER	
△ TR802	VE-30002080	TRF SMPS AK19 110° (170-270V)	
TU201	VE-30009637	TUNER	
VL301	VE-30002037	ADJ COIL	VIF 38.9 Q80
VR801	VE-30001064	RES ADJ	470R 0.1W VER (MAN)

Symbol No.	Part No.	Part Name	Description
OTHERS			
X301	VE-30001756	XTAL	
X401	VE-30001748	XTAL	
X404	VE-30001745	XTAL	
X501	VE-30006662	XTAL	
Z209	VE-30001724	FILTER SER	
Z301	VE-30001706	FILTER SAW	
Z302	VE-30001692	FILTER SAW	
Z401	VE-30001692	FILTER SAW	

[AV28BT5ENS / AV28BT5ENB]

MULTI SOUND P.W. BOARD ASS'Y (VE-20078991)

△ Symbol No.	Part No.	Part Name	Description
RESISTOR			
R001	VE-30000631	SMD RES.	1/10W 2.7K J
R002	VE-30000631	SMD RES.	1/10W 2.7K J
R303	VE-30000469	SMD RES.	1/10W 1K J
R304	VE-30000717	SMD RES.	1/10W 470R J
R305	VE-30000717	SMD RES.	1/10W 470R J
R306	VE-30000464	SMD RES.	1/10W 100R J
R307	VE-30000464	SMD RES.	1/10W 100R J
R308	VE-30000464	SMD RES.	1/10W 100R J
R309	VE-30000660	CF RES.	1/4W 3.3K J
R310	VE-30000660	CF RES.	1/4W 3.3K J
R311	VE-30000531	CF RES.	1/4W 15K J
R313	VE-30000534	SMD RES.	1/10W 15K J
R314	VE-30000534	SMD RES.	1/10W 15K J
R315	VE-30000534	SMD RES.	1/10W 15K J
R341	VE-30000524	SMD RES.	1/10W 150R J
R343	VE-30001248	FUSE RES.	1/4W 4.7R J
R359	VE-30000464	SMD RES.	1/10W 100R J
R360	VE-30000464	SMD RES.	1/10W 100R J
R361	VE-30000464	SMD RES.	1/10W 100R J
R364	VE-30000464	SMD RES.	1/10W 100R J
R378	VE-30000471	CF RES.	1/4W 10K J
R379	VE-30000475	SMD RES.	1/10W 10K J
R399	VE-30000717	SMD RES.	1/10W 470R J
CAPACITOR			
C279	VE-30000263	SMD CAP.	56PF 50V J CH
C301	VE-30000216	SMD CAP.	1.8PF 50V J CH
C302	VE-30000216	SMD CAP.	1.8PF 50V J CH
C304	VE-30000289	SMD CAP.	10NF 50V K R
C306	VE-30000345	EL CAP.	10UF 50V M
C307	VE-30000294	SMD CAP.	100NF 50V K
C308	VE-30000074	MKT CAP.	100NF 63V J
C309	VE-30000345	EL CAP.	10UF 50V M
C316	VE-30000284	SMD CAP.	1NF 50V K R
C317	VE-30000284	SMD CAP.	1NF 50V K R
C318	VE-30000074	MKT CAP.	100NF 63V J
C319	VE-30000393	EL CAP.	3.3UF 50V M
C320	VE-30000294	SMD CAP.	100NF 50V K
C321	VE-30000345	EL CAP.	10UF 50V M
C322	VE-30000345	EL CAP.	10UF 50V M
C323	VE-30000345	EL CAP.	10UF 50V M
C326	VE-30000371	EL CAP.	22UF 50V M
C327	VE-30000371	EL CAP.	22UF 50V M
C328	VE-30000284	SMD CAP.	1NF 50V K R
C329	VE-30000284	SMD CAP.	1NF 50V K R
C330	VE-30000284	SMD CAP.	1NF 50V K R
C331	VE-30000284	SMD CAP.	1NF 50V K R
C332	VE-30000417	EL CAP.	6.8UF 50V M
C333	VE-30000294	SMD CAP.	100NF 50V K
C334	VE-30000345	EL CAP.	10UF 50V M
C335	VE-30000252	SMD CAP.	47PF 50V J
C336	VE-30000252	SMD CAP.	47PF 50V J
C338	VE-30000371	EL CAP.	22UF 50V M
C339	VE-30000256	SMD CAP.	470PF 50V J
C340	VE-30000100	MKT CAP.	330NF 63V J
C341	VE-30000256	SMD CAP.	470PF 50V J
C342	VE-30000100	MKT CAP.	330NF 63V J
C343	VE-30000224	SMD CAP.	220PF 50V J
C344	VE-30000100	MKT CAP.	330NF 63V J
C346	VE-30000224	SMD CAP.	220PF 50V J
C347	VE-30000371	EL CAP.	22UF 50V M
C348	VE-30000224	SMD CAP.	220PF 50V J
C349	VE-30000100	MKT CAP.	330NF 63V J
C350	VE-30000224	SMD CAP.	220PF 50V J
C351	VE-30000100	MKT CAP.	330NF 63V J
C352	VE-30000224	SMD CAP.	220PF 50V J
C353	VE-30000100	MKT CAP.	330NF 63V J
C355	VE-30000284	SMD CAP.	1NF 50V K R
C357	VE-30000294	SMD CAP.	100NF 50V K
C358	VE-30000345	EL CAP.	10UF 50V M
C364	VE-30000284	SMD CAP.	1NF 50V K R
C365	VE-30000384	EL CAP.	2.2UF 50V M
C366	VE-30000294	SMD CAP.	100NF 50V K

△ Symbol No.	Part No.	Part Name	Description
CAPACITOR			
C368	VE-30000294	SMD CAP.	100NF 50V K
C369	VE-30000294	SMD CAP.	100NF 50V K
C370	VE-30000384	EL CAP.	2.2UF 50V M
C371	VE-30000109	MKT CAP.	470NF 63V J
C373	VE-30000371	EL CAP.	22UF 50V M
C374	VE-30000294	SMD CAP.	100NF 50V K
C379	VE-30000294	SMD CAP.	100NF 50V K
C385	VE-30000294	SMD CAP.	100NF 50V K
C400	VE-30000294	SMD CAP.	100NF 50V K
C401	VE-30000371	EL CAP.	22UF 50V M
C403	VE-30000294	SMD CAP.	100NF 50V K
C404	VE-30000284	SMD CAP.	1NF 50V K R
C405	VE-30000294	SMD CAP.	100NF 50V K
C406	VE-30000284	SMD CAP.	1NF 50V K R
C407	VE-30000284	SMD CAP.	1NF 50V K R
COIL			
L301	VE-30001987	FIXED COIL	4.7UH Q70 K-A
L302	VE-30001987	FIXED COIL	4.7UH Q70 K-A
L303	VE-30001987	FIXED COIL	4.7UH Q70 K-A
L304	VE-30001986	FIXED COIL	3.3UH Q65 K
L306	VE-30002002	FIXED COIL	47UH Q60 K
L307	VE-30002002	FIXED COIL	47UH Q60 K
L308	VE-30002002	FIXED COIL	47UH Q60 K
L309	VE-30002002	FIXED COIL	47UH Q60 K
DIODE			
D301	VE-30001369	DIODE ZENER	
D302	VE-30001284	DIODE	
TRANSISTOR			
Q301	VE-30001455	TR	
IC			
IC301	VE-30001664	IC	
IC307	VE-30001495	IC	
OTHERS			
VL301	VE-30002037	ADJ COIL	VIF 38.9 Q80
X301	VE-30001756	XTAL	
Z301	VE-30001706	FILTER SAW	
Z302	VE-30001692	FILTER SAW	

[AV28BT5ENS / AV28BT5ENB]

CRT SOCKET P.W. BOARD ASS'Y (VE-20074437)

△ Symbol No.	Part No.	Part Name	Description
RESISTOR			
R901	VE-30000525	CF RES.	1/2W 1.5K J
R902	VE-30000525	CF RES.	1/2W 1.5K J
R903	VE-30000525	CF RES.	1/2W 1.5K J
R905	VE-30000525	CF RES.	1/2W 1.5K J
R906	VE-30000525	CF RES.	1/2W 1.5K J
R907	VE-30000459	CF RES.	1/4W 100R J
R908	VE-30000459	CF RES.	1/4W 100R J
R909	VE-30000459	CF RES.	1/4W 100R J
R914	VE-30001242	FUSE RES.	1/4W 47R J

CAPACITOR

C901	VE-30000075	MKT CAP.	100NF 250V K (DC)
C902	VE-30000350	EL CAP.	10UF 250V M
C903	VE-30000434	CER CAP.	1NF 2KV K B
C904	VE-30000319	CER CAP.	2.7NF 500V K B

DIODE

D900	VE-30001347	DIODE ZENER	8.2V
------	-------------	-------------	------

IC

IC901	VE-20000954	HE. ASY. 19-CRT BOARD	
-------	-------------	-----------------------	--

OTHERS

△ PL900	VE-30015752	SOCKET CRT	
SP901	VE-30000428	SPARK GAP 300V	
SP902	VE-30000428	SPARK GAP 300V	
SP903	VE-30000428	SPARK GAP 300V	
SP904	VE-30000428	SPARK GAP 300V	

FRONT CONTROL P.W. BOARD ASS'Y (VE-20079113)

△ Symbol No.	Part No.	Part Name	Description
OTHERS			
LD101	VE-30001279	LED RED/GREEN	
MD101	VE-30001670	PREAMPLIFIER	
PL1203	VE-30001884	RCA JACK IP YELLOW	
PL1204	VE-30001882	RCA JACK IP WHITE	
PL1205	VE-30001883	RCA JACK IP RED	
S101	VE-30002181	SWITCH TACT	
S102	VE-30002181	SWITCH TACT	
S103	VE-30002181	SWITCH TACT	
S104	VE-30002181	SWITCH TACT	
S105	VE-30002181	SWITCH TACT	

HEAD PHONE P.W. BOARD ASS'Y (VE-20075472)

△ Symbol No.	Part No.	Part Name	Description
RESISTOR			
R113	VE-30000743	CF RES	1/2W 560R J
R114	VE-30000743	CF RES	1/2W 560R J
R115	VE-30000712	CF RES	1/4W 470R J
R116	VE-30000712	CF RES	1/4W 470R J

COIL

L103	VE-30001996	FIXED COIL	22UH Q40 K
L104	VE-30001996	FIXED COIL	22UH Q40 K

OTHERS

CON106	VE-30001900	JACK HEADPHONE	
--------	-------------	----------------	--

PRINTED WIRING BOARD PARTS LIST

[AV28BT5EES / AV28BT5EEB]

MAIN P.W. BOARD ASS'Y (VE-20073447)

△ Symbol No.	Part No.	Part Name	Description
RESISTOR			
R001	VE-30000471	CF RES.	1/4W 10K J
R001	VE-30000631	SMD RES.	1/10W 2.7K J
R002	VE-30000471	CF RES.	1/4W 10K J
R002	VE-30000631	SMD RES.	1/10W 2.7K J
R003	VE-30000770	CF RES.	1/4W 680R J
R010	VE-30000797	SMD RES.	1/10W 75R J
R011	VE-30000480	SMD RES.	1/10W 100K J
R012	VE-30000480	SMD RES.	1/10W 100K J
R014	VE-30000477	CF RES.	1/4W 100K J
R015	VE-30000480	SMD RES.	1/10W 100K J
R040	VE-30000797	SMD RES.	1/10W 75R J
R041	VE-30000797	SMD RES.	1/10W 75R J
R044	VE-30000459	CF RES.	1/4W 100R J
R045	VE-30000524	SMD RES.	1/10W 150R J
R049	VE-30000717	SMD RES.	1/10W 470R J
R050	VE-30000464	SMD RES.	1/10W 100R J
R051	VE-30000464	SMD RES.	1/10W 100R J
R065	VE-30000797	SMD RES.	1/10W 75R J
R066	VE-30000774	SMD RES.	1/10W 680R J
R067	VE-30000469	SMD RES.	1/10W 1K J
R068	VE-30000774	SMD RES.	1/10W 680R J
R069	VE-30000469	SMD RES.	1/10W 1K J
R070	VE-30000588	SMD RES.	1/10W 220R J
R071	VE-30000588	SMD RES.	1/10W 220R J
R072	VE-30000588	SMD RES.	1/10W 220R J
R073	VE-30000797	SMD RES.	1/10W 75R J
R075	VE-30000653	SMD RES.	1/10W 33R J
R078	VE-30000774	SMD RES.	1/10W 680R J
R079	VE-30000469	SMD RES.	1/10W 1K J
R080	VE-30000774	SMD RES.	1/10W 680R J
R081	VE-30000469	SMD RES.	1/10W 1K J
R082	VE-30000469	SMD RES.	1/10W 1K J
R083	VE-30000653	SMD RES.	1/10W 33R J
R084	VE-30000710	SMD RES.	1/10W 47R J
R094	VE-30000475	SMD RES.	1/10W 10K J
R095	VE-30000475	SMD RES.	1/10W 10K J
R096	VE-30000475	SMD RES.	1/10W 10K J
R097	VE-30000529	SMD RES.	1/10W 1.5K J
R098	VE-30000475	SMD RES.	1/10W 10K J
R099	VE-30000475	SMD RES.	1/10W 10K J
R100	VE-30000727	SMD RES.	1/10W 47K J
R101	VE-30000471	CF RES.	1/4W 10K J
R102	VE-30000747	SMD RES.	1/10W 560R J
R103	VE-30000710	SMD RES.	1/10W 47R J
R104	VE-30000457	SMD RES.	1/10W 10R J
R105	VE-30000457	SMD RES.	1/10W 10R J
R106	VE-30000567	SMD RES.	1/10W 18K J
R108	VE-30000564	CF RES.	1/4W 18K J
R200	VE-30000503	SMD RES.	1/10W 12K J
R201	VE-30000723	CF RES.	1/4W 47K J
R202	VE-30000459	CF RES.	1/4W 100R J
R203	VE-30000471	CF RES.	1/4W 10K J
R208	VE-30000459	CF RES.	1/4W 100R J
R209	VE-30000459	CF RES.	1/4W 100R J
R213	VE-30000597	SMD RES.	1/10W 22K J
R300	VE-30000529	SMD RES.	1/10W 1.5K J
R303	VE-30000469	SMD RES.	1/10W 1K J
R304	VE-30000717	SMD RES.	1/10W 470R J
R305	VE-30000717	SMD RES.	1/10W 470R J
R306	VE-30000464	SMD RES.	1/10W 100R J
R307	VE-30000464	SMD RES.	1/10W 100R J
R308	VE-30000464	SMD RES.	1/10W 100R J
R309	VE-30000660	CF RES.	1/4W 3.3K J
R310	VE-30000660	CF RES.	1/4W 3.3K J
R311	VE-30000531	CF RES.	1/4W 15K J
R313	VE-30000534	SMD RES.	1/10W 15K J
R314	VE-30000534	SMD RES.	1/10W 15K J
R315	VE-30000534	SMD RES.	1/10W 15K J
R341	VE-30000524	SMD RES.	1/10W 150R J
R343	VE-30001248	FUSE RES.	1/4W 4.7R J
R359	VE-30000464	SMD RES.	1/10W 100R J
R360	VE-30000464	SMD RES.	1/10W 100R J

△ Symbol No.	Part No.	Part Name	Description
RESISTOR			
R361	VE-30000464	SMD RES.	1/10W 100R J
R364	VE-30000464	SMD RES.	1/10W 100R J
R378	VE-30000471	CF RES.	1/4W 10K J
R379	VE-30000475	SMD RES.	1/10W 10K J
R399	VE-30000717	SMD RES.	1/10W 470R J
R400	VE-30000717	SMD RES.	1/10W 470R J
R402	VE-30000706	CF RES.	1/4W 47R J
R403	VE-30000659	SMD RES.	1/10W 330R J
R404	VE-30000688	SMD RES.	1/10W 390R J
R405	VE-30000469	SMD RES.	1/10W 1K J
R407	VE-30000459	CF RES.	1/4W 100R J
R418	VE-30000735	SMD RES.	1/10W 4.7R J
R419	VE-30000710	SMD RES.	1/10W 47R J
R420	VE-30000593	SMD RES.	1/10W 2.2K J
R421	VE-30000499	SMD RES.	1/10W 1.2K J
R422	VE-30000558	SMD RES.	1/10W 180R J
R426	VE-30000659	SMD RES.	1/10W 330R J
R428	VE-30000650	CF RES.	1/4W 33R J
R429	VE-30000524	SMD RES.	1/10W 150R J
R431	VE-30000459	CF RES.	1/4W 100R J
R432	VE-30000459	CF RES.	1/4W 100R J
R433	VE-30000475	SMD RES.	1/10W 10K J
R437	VE-30000469	SMD RES.	1/10W 1K J
R438	VE-30000499	SMD RES.	1/10W 1.2K J
R439	VE-30000499	SMD RES.	1/10W 1.2K J
R440	VE-30000499	SMD RES.	1/10W 1.2K J
R446	VE-30000480	SMD RES.	1/10W 100K J
R447	VE-30000464	SMD RES.	1/10W 100R J
R448	VE-30000466	CF RES.	1/4W 1K J
R449	VE-30000489	SMD RES.	1/10W 1R J
R450	VE-30000631	SMD RES.	1/10W 2.7K J
R451	VE-30000633	CF RES.	1/4W 27K J
R452	VE-30000309	SMD CAP.	2.2NF 50V K R
R453	VE-30000606	SMD RES.	1/10W 2.2M J
R454	VE-30000534	SMD RES.	1/10W 15K J
R455	VE-30000650	CF RES.	1/4W 33R J
R456	VE-30000550	SMD RES.	1/10W 160K J
R457	VE-30000606	SMD RES.	1/10W 2.2M J
R458	VE-30000732	SMD RES.	1/10W 470K J
R459	VE-30000697	SMD RES.	1/10W 39K G
R460	VE-30000770	CF RES.	1/4W 680R J
R465	VE-30006658	SMD RES.	1/10W 82R J
R474	VE-30000597	SMD RES.	1/10W 22K J
R475	VE-30000475	SMD RES.	1/10W 10K J
R480	VE-30000751	SMD RES.	1/10W 5.6K J
R481	VE-30000751	SMD RES.	1/10W 5.6K J
R482	VE-30000751	SMD RES.	1/10W 5.6K J
R483	VE-30000593	SMD RES.	1/10W 2.2K J
R484	VE-30000752	CF RES.	1/4W 56K J
R486	VE-30000721	SMD RES.	1/10W 4.7K J
R488	VE-30000471	CF RES.	1/4W 10K J
R489	VE-30000727	SMD RES.	1/10W 47K J
R490	VE-30000751	SMD RES.	1/10W 5.6K J
R492	VE-30000588	SMD RES.	1/10W 220R J
R493	VE-30000588	SMD RES.	1/10W 220R J
R494	VE-30000526	CF RES.	1/4W 1.5K J
R498	VE-30000563	SMD RES.	1/10W 1.8K J
R500	VE-30000469	SMD RES.	1/10W 1K J
R502	VE-30000469	SMD RES.	1/10W 1K J
R503	VE-30000469	SMD RES.	1/10W 1K J
R507	VE-30000469	SMD RES.	1/10W 1K J
R512	VE-30000727	SMD RES.	1/10W 47K J
R513	VE-30000727	SMD RES.	1/10W 47K J
R514	VE-30000727	SMD RES.	1/10W 47K J
R515	VE-30000727	SMD RES.	1/10W 47K J
R516	VE-30000464	SMD RES.	1/10W 100R J
R517	VE-30000464	SMD RES.	1/10W 100R J
R523	VE-30000475	SMD RES.	1/10W 10K J
R524	VE-30000475	SMD RES.	1/10W 10K J
R527	VE-30000721	SMD RES.	1/10W 4.7K J
R528	VE-30000560	CF RES.	1/4W 1.8K J
R529	VE-30000560	CF RES.	1/4W 1.8K J

[AV28BT5EES / AV28BT5EEB]

△ Symbol No.	Part No.	Part Name	Description	△ Symbol No.	Part No.	Part Name	Description
RESISTOR				RESISTOR			
R530	VE-30000560	CF RES.	1/4W 1.8K J	R711	VE-30000500	CF RES.	1/4W 12K J
R532	VE-30000475	SMD RES.	1/10W 10K J	R714	VE-30000459	CF RES.	1/4W 100R J
R533	VE-30000721	SMD RES.	1/10W 4.7K J	R715	VE-30000459	CF RES.	1/4W 100R J
R535	VE-30000721	SMD RES.	1/10W 4.7K J	R716	VE-30000466	CF RES.	1/4W 1K J
R537	VE-30000593	SMD RES.	1/10W 2.2K J	R717	VE-30000712	CF RES.	1/4W 470R J
R538	VE-30000475	SMD RES.	1/10W 10K J	R805	VE-30000633	CF RES.	1/4W 27K J
R539	VE-30000475	SMD RES.	1/10W 10K J	R806	VE-30001129	MO RES.	3W 22K J
R540	VE-30000818	SMD RES.	1/10W 8.2K J	R807	VE-30000466	CF RES.	1/4W 1K J
R541	VE-30000721	SMD RES.	1/10W 4.7K J	R808	VE-30000818	SMD RES.	1/10W 8.2K J
R542	VE-30000721	SMD RES.	1/10W 4.7K J	R809	VE-30000469	SMD RES.	1/10W 1K J
R543	VE-30000717	SMD RES.	1/10W 470R J	R810	VE-30000597	SMD RES.	1/10W 22K J
R548	VE-30000721	SMD RES.	1/10W 4.7K J	R811	VE-30000597	SMD RES.	1/10W 22K J
R549	VE-30000531	CF RES.	1/4W 15K J	R812	VE-30000519	CF RES.	1/4W 150R J
R550	VE-30000721	SMD RES.	1/10W 4.7K J	R813	VE-30000475	SMD RES.	1/10W 10K J
R551	VE-30000475	SMD RES.	1/10W 10K J	R814	VE-30000706	CF RES.	1/4W 47R J
R552	VE-30000593	SMD RES.	1/10W 2.2K J	R816	VE-30000540	CF RES.	1/2W 1.5M J (400V)
R554	VE-30000815	CF RES.	1/4W 8.2K J	R818	VE-30000466	CF RES.	1/4W 1K J
R556	VE-30000567	SMD RES.	1/10W 18K J	R821	VE-30000602	SMD RES.	1/10W 220K J
R559	VE-30000588	SMD RES.	1/10W 220R J	R822	VE-30001156	MO RES.	5W 33K J
R560	VE-30000469	SMD RES.	1/10W 1K J	R823	VE-30000513	CF RES.	1/4W 130K J
R561	VE-30000692	SMD RES.	1/10W 3.9K J	R824	VE-30000572	CF RES.	1/4W 2K J
R562	VE-30000471	CF RES.	1/4W 10K J	R827	VE-35000177	EYELET BR 2.5*3.3	
R563	VE-30000471	CF RES.	1/4W 10K J	R828	VE-30007759	CF RES.	1W 47K J
R564	VE-30000475	SMD RES.	1/10W 10K J	R829	VE-30000469	SMD RES.	1/10W 1K J
R565	VE-30000475	SMD RES.	1/10W 10K J	R831	VE-30000471	CF RES.	1/4W 10K J
R566	VE-30010167	SMD RES.	1/10W 56R J	R832	VE-30000721	SMD RES.	1/10W 4.7K J
R568	VE-30000475	SMD RES.	1/10W 10K J	R833	VE-30000710	SMD RES.	1/10W 47R J
R569	VE-30000459	CF RES.	1/4W 100R J	R834	VE-30000818	SMD RES.	1/10W 8.2K J
R570	VE-30000531	CF RES.	1/4W 15K J	R835	VE-30000580	CF RES.	1/4W 22R J
R571	VE-30000466	CF RES.	1/4W 1K J	R836	VE-30000706	CF RES.	1/4W 47R J
R572	VE-30000475	SMD RES.	1/10W 10K J	R844	VE-30000471	CF RES.	1/4W 10K J
R573	VE-30000721	SMD RES.	1/10W 4.7K J	△ R845	VE-30001257	MG RES.	1/2W 4.7M J
R574	VE-30000692	SMD RES.	1/10W 3.9K J	R849	VE-30000534	SMD RES.	1/10W 15K J
R577	VE-30000475	SMD RES.	1/10W 10K J	R850	VE-30000569	CF RES.	1/4W 180K J
R578	VE-30000475	SMD RES.	1/10W 10K J	R858	VE-30000712	CF RES.	1/4W 470R J
R579	VE-30000721	SMD RES.	1/10W 4.7K J	R868	VE-30000810	CF RES.	1/4W 820R J
R580	VE-30000464	SMD RES.	1/10W 100R J	R869	VE-30000810	CF RES.	1/4W 820R J
R581	VE-30000588	SMD RES.	1/10W 220R J	R870	VE-30001131	MO RES.	1W 0.22R J
R582	VE-30000464	SMD RES.	1/10W 100R J	R871	VE-30000471	CF RES.	1/4W 10K J
R583	VE-30000475	SMD RES.	1/10W 10K J	R872	VE-30007786	SMD RES.	1/10W 2.55K F
R584	VE-30000563	SMD RES.	1/10W 1.8K J	R873	VE-30012852	SMD RES.	1/10W 3.9K F
R586	VE-30000480	SMD RES.	1/10W 100K J	R879	VE-30000718	CF RES.	1/4W 4.7K J
R587	VE-30000712	CF RES.	1/4W 470R J	R885	VE-30000475	SMD RES.	1/10W 10K J
R590	VE-30000721	SMD RES.	1/10W 4.7K J	R886	VE-30000475	SMD RES.	1/10W 10K J
R594	VE-30000475	SMD RES.	1/10W 10K J	R888	VE-30000503	SMD RES.	1/10W 12K J
R595	VE-30000475	SMD RES.	1/10W 10K J	R890	VE-30001089	MO RES.	2W 1R J
R596	VE-30000475	SMD RES.	1/10W 10K J	R891	VE-30000466	CF RES.	1/4W 1K J
R601	VE-30000718	CF RES.	1/4W 4.7K J	R892	VE-30000531	CF RES.	1/4W 15K J
R602	VE-30000464	SMD RES.	1/10W 100R J	R893	VE-30000477	CF RES.	1/4W 100K J
R605	VE-30000466	CF RES.	1/4W 1K J	R894	VE-30000660	CF RES.	1/4W 3.3K J
R606	VE-30000704	CF RES.	1/4W 43K J	R895	VE-30000638	CF RES.	1/4W 270K J
R608	VE-30001235	FUSE RES.	1/2W 0.33R J				
R610	VE-30001171	MO RES.	2W 4.7K J				
△ R611	VE-30001215	FUSE RES.	1W 1R J				
R613	VE-30000815	CF RES.	1/4W 8.2K J				
R614	VE-30000775	CF RES.	1/4W 6.8K J				
R615	VE-30000815	CF RES.	1/4W 8.2K J				
R616	VE-35000177	EYELET BR 2.5*3.3					
R617	VE-30000775	CF RES.	1/4W 6.8K J				
R618	VE-30000464	SMD RES.	1/10W 100R J				
R619	VE-30000815	CF RES.	1/4W 8.2K J				
R620	VE-30001082	MO RES.	1/2W 1K J				
R621	VE-30000459	CF RES.	1/4W 100R J				
R626	VE-30000466	CF RES.	1/4W 1K J				
△ R628	VE-30001228	FUSE RES.	1/2W 2.2R J				
△ R629	VE-30001232	FUSE RES.	1/4W 2.7R J				
R630	VE-30001082	MO RES.	1/2W 1K J				
R631	VE-30001171	MO RES.	2W 4.7K J				
R639	VE-30000542	SMD RES.	1/10W 1.5M J				
R700	VE-30000466	CF RES.	1/4W 1K J				
R703	VE-30000860	MF RES.	1/4W 1R F				
△ R704	VE-30001251	FUSE RES.	1/2W 56R J				
R705	VE-30000580	CF RES.	1/4W 22R J				
R706	VE-30000949	MF RES.	1/4W 3K G				
R707	VE-30000712	CF RES.	1/4W 470R J				
R708	VE-30000469	SMD RES.	1/10W 1K J				
R709	VE-30000475	SMD RES.	1/10W 10K J				
R710	VE-30000718	CF RES.	1/4W 4.7K J				
C001	VE-30000375	EL CAP.	220UF 16V M	C053	VE-30000315	SMD CAP.	220NF 25V Z
C01	VE-30000332	SMD CAP.	4.7NF 50V K	C054	VE-30000315	SMD CAP.	220NF 25V Z
C010	VE-30000294	SMD CAP.	100NF 50V K	C059	VE-30000300	SMD CAP.	1.5NF 50V K
C011	VE-30000294	SMD CAP.	100NF 50V K	C060	VE-30000300	SMD CAP.	1.5NF 50V K
C012	VE-30000294	SMD CAP.	100NF 50V K	C061	VE-30000242	SMD CAP.	330PF 50V J
C013	VE-30000375	EL CAP.	220UF 16V M	C062	VE-30000242	SMD CAP.	330PF 50V J
C02	VE-30000332	SMD CAP.	4.7NF 50V K	C064	VE-30000300	SMD CAP.	1.5NF 50V K
C028	VE-30000352	EL CAP.	100UF 16V M				
C029	VE-30000294	SMD CAP.	100NF 50V K				
C03	VE-30000332	SMD CAP.	4.7NF 50V K				
C030	VE-30000294	SMD CAP.	100NF 50V K				
C031	VE-30000294	SMD CAP.	100NF 50V K				
C032	VE-30000294	SMD CAP.	100NF 50V K				
C04	VE-30000332	SMD CAP.	4.7NF 50V K				
C051	VE-30000315	SMD CAP.	220NF 25V Z				
C052	VE-30000294	SMD CAP.	100NF 50V K				

[AV28BT5EES / AV28BT5EEB]

△ Symbol No.	Part No.	Part Name	Description	△ Symbol No.	Part No.	Part Name	Description
CAPACITOR				CAPACITOR			
C065	VE-30000300	SMD CAP.	1.5NF 50V K	C371	VE-30000109	MKT CAP.	470NF 63V J
C066	VE-30000242	SMD CAP.	330PF 50V J	C373	VE-30000371	EL CAP.	22UF 50V M
C067	VE-30000242	SMD CAP.	330PF 50V J	C374	VE-30000294	SMD CAP.	100NF 50V K
C068	VE-30000345	EL CAP.	10UF 50V M	C379	VE-30000294	SMD CAP.	100NF 50V K
C071	VE-30000315	SMD CAP.	220NF 25V Z	C385	VE-30000294	SMD CAP.	100NF 50V K
C072	VE-30000294	SMD CAP.	100NF 50V K	C400	VE-30000294	SMD CAP.	100NF 50V K
C073	VE-30000294	SMD CAP.	100NF 50V K	C401	VE-30000371	EL CAP.	22UF 50V M
C095	VE-30000289	SMD CAP.	10NF 50V K R	C402	VE-30000345	EL CAP.	10UF 50V M
C097	VE-30000189	SMD CAP.	100PF 50V J	C403	VE-30000074	MKT CAP.	100NF 63V J
C098	VE-30000224	SMD CAP.	220PF 50V J	C403	VE-30000294	SMD CAP.	100NF 50V K
C099	VE-30000189	SMD CAP.	100PF 50V J	C404	VE-30000284	SMD CAP.	1NF 50V K R
C101	VE-30000336	SMD CAP.	5.6NF 50V K	C405	VE-30000345	EL CAP.	10UF 50V M
C102	VE-30000345	EL CAP.	10UF 50V M	C405	VE-30000294	SMD CAP.	100NF 50V K
C107	VE-30000336	SMD CAP.	5.6NF 50V K	C406	VE-30000313	CER CAP.	22NF 50V Z F
C108	VE-30000312	SMD CAP.	22NF 50V K	C406	VE-30000284	SMD CAP.	1NF 50V K R
C109	VE-30000332	SMD CAP.	4.7NF 50V K	C407	VE-30000384	EL CAP.	2.2UF 50V M
C110	VE-30000312	SMD CAP.	22NF 50V K	C407	VE-30000284	SMD CAP.	1NF 50V K R
C111	VE-30000332	SMD CAP.	4.7NF 50V K	C408	VE-30000283	CER CAP.	1NF 50V K B
C112	VE-30000109	MKT CAP.	470NF 63V J	C409	VE-30000334	SMD CAP.	47NF 50V K
C113	VE-30000109	MKT CAP.	470NF 63V J	C410	VE-30000345	EL CAP.	10UF 50V M
C116	VE-30000082	MKT CAP.	15NF 63V J	C411	VE-30000334	SMD CAP.	47NF 50V K
C117	VE-30000082	MKT CAP.	15NF 63V J	C412	VE-30000312	SMD CAP.	22NF 50V K
C201	VE-30000352	EL CAP.	100UF 16V M	C413	VE-30000375	EL CAP.	220UF 16V M
C203	VE-30000345	EL CAP.	10UF 50V M	C415	VE-30000092	MKT CAP.	220NF 63V J
C204	VE-30000345	EL CAP.	10UF 50V M	C416	VE-30000312	SMD CAP.	22NF 50V K
C211	VE-30000294	SMD CAP.	100NF 50V K	C417	VE-30000312	SMD CAP.	22NF 50V K
C212	VE-30000190	CER CAP.	100PF 50V J CH	C418	VE-30000312	SMD CAP.	22NF 50V K
C279	VE-30000263	SMD CAP.	56PF 50V J CH	C419	VE-30000315	SMD CAP.	220NF 25V Z
C301	VE-30000216	SMD CAP.	1.8PF 50V J CH	C421	VE-30000220	SMD CAP.	22PF 50V J
C302	VE-30000216	SMD CAP.	1.8PF 50V J CH	C422	VE-30000220	SMD CAP.	22PF 50V J
C304	VE-30000289	SMD CAP.	10NF 50V K R	C423	VE-30000322	SMD CAP.	3.3NF 50V K
C306	VE-30000345	EL CAP.	10UF 50V M	C424	VE-30000294	SMD CAP.	100NF 50V K
C307	VE-30000294	SMD CAP.	100NF 50V K	C425	VE-30000312	SMD CAP.	22NF 50V K
C308	VE-30000074	MKT CAP.	100NF 63V J	C426	VE-30000353	EL CAP.	100UF 25V M
C309	VE-30000345	EL CAP.	10UF 50V M	C427	VE-30000294	SMD CAP.	100NF 50V K
C316	VE-30000284	SMD CAP.	1NF 50V K R	C428	VE-30000345	EL CAP.	10UF 50V M
C317	VE-30000284	SMD CAP.	1NF 50V K R	C430	VE-30000289	SMD CAP.	10NF 50V K R
C318	VE-30000074	MKT CAP.	100NF 63V J	C431	VE-30000362	EL CAP.	1UF 50V M
C319	VE-30000393	EL CAP.	3.3UF 50V M	C433	VE-30000284	SMD CAP.	1NF 50V K R
C320	VE-30000294	SMD CAP.	100NF 50V K	C434	VE-30000284	SMD CAP.	1NF 50V K R
C321	VE-30000345	EL CAP.	10UF 50V M	C435	VE-30000074	MKT CAP.	100NF 63V J
C322	VE-30000345	EL CAP.	10UF 50V M	C436	VE-30000074	MKT CAP.	100NF 63V J
C323	VE-30000345	EL CAP.	10UF 50V M	C437	VE-30000362	EL CAP.	1UF 50V M
C326	VE-30000371	EL CAP.	22UF 50V M	C438	VE-30000312	SMD CAP.	22NF 50V K
C327	VE-30000371	EL CAP.	22UF 50V M	C439	VE-30000284	SMD CAP.	1NF 50V K R
C328	VE-30000284	SMD CAP.	1NF 50V K R	C440	VE-30000345	EL CAP.	10UF 50V M
C329	VE-30000284	SMD CAP.	1NF 50V K R	C446	VE-30000252	SMD CAP.	47PF 50V J
C330	VE-30000284	SMD CAP.	1NF 50V K R	C447	VE-30000252	SMD CAP.	47PF 50V J
C331	VE-30000284	SMD CAP.	1NF 50V K R	C448	VE-30000189	SMD CAP.	100PF 50V J
C332	VE-30000417	EL CAP.	6.8UF 50V M	C450	VE-30000294	SMD CAP.	100NF 50V K
C333	VE-30000294	SMD CAP.	100NF 50V K	C451	VE-30000290	CER CAP.	10NF 50V Z F
C334	VE-30000345	EL CAP.	10UF 50V M	C452	VE-30000290	CER CAP.	10NF 50V Z F
C335	VE-30000252	SMD CAP.	47PF 50V J	C453	VE-30000312	SMD CAP.	22NF 50V K
C336	VE-30000252	SMD CAP.	47PF 50V J	C459	VE-30000332	SMD CAP.	4.7NF 50V K
C338	VE-30000371	EL CAP.	22UF 50V M	C465	VE-30000300	SMD CAP.	1.5NF 50V K
C339	VE-30000256	SMD CAP.	470PF 50V J	C490	VE-30000284	SMD CAP.	1NF 50V K R
C340	VE-30000100	MKT CAP.	330NF 63V J	C497	VE-30000300	SMD CAP.	1.5NF 50V K
C341	VE-30000256	SMD CAP.	470PF 50V J	C498	VE-30000189	SMD CAP.	100PF 50V J
C342	VE-30000100	MKT CAP.	330NF 63V J	C499	VE-30000300	SMD CAP.	1.5NF 50V K
C343	VE-30000224	SMD CAP.	220PF 50V J	C505	VE-30000294	SMD CAP.	100NF 50V K
C344	VE-30000100	MKT CAP.	330NF 63V J	C513	VE-30000294	SMD CAP.	100NF 50V K
C346	VE-30000224	SMD CAP.	220PF 50V J	C514	VE-30000345	EL CAP.	10UF 50V M
C347	VE-30000371	EL CAP.	22UF 50V M	C516	VE-30000371	EL CAP.	22UF 50V M
C348	VE-30000224	SMD CAP.	220PF 50V J	C517	VE-30000352	EL CAP.	100UF 16V M
C349	VE-30000100	MKT CAP.	330NF 63V J	C521	VE-30000109	MKT CAP.	470NF 63V J
C350	VE-30000224	SMD CAP.	220PF 50V J	C524	VE-30000237	SMD CAP.	33PF 50V J
C351	VE-30000100	MKT CAP.	330NF 63V J	C525	VE-30000237	SMD CAP.	33PF 50V J
C352	VE-30000224	SMD CAP.	220PF 50V J	C526	VE-30000294	SMD CAP.	100NF 50V K
C353	VE-30000100	MKT CAP.	330NF 63V J	C530	VE-30000294	SMD CAP.	100NF 50V K
C355	VE-30000284	SMD CAP.	1NF 50V K R	C531	VE-30000294	SMD CAP.	100NF 50V K
C357	VE-30000294	SMD CAP.	100NF 50V K	C532	VE-30000294	SMD CAP.	100NF 50V K
C358	VE-30000345	EL CAP.	10UF 50V M	C533	VE-30000294	SMD CAP.	100NF 50V K
C364	VE-30000284	SMD CAP.	1NF 50V K R	C537	VE-30000294	SMD CAP.	100NF 50V K
C365	VE-30000384	EL CAP.	2.2UF 50V M	C538	VE-30000294	SMD CAP.	100NF 50V K
C366	VE-30000294	SMD CAP.	100NF 50V K	C539	VE-30000294	SMD CAP.	100NF 50V K
C368	VE-30000294	SMD CAP.	100NF 50V K	C540	VE-30000294	SMD CAP.	100NF 50V K
C369	VE-30000294	SMD CAP.	100NF 50V K	C570	VE-30000371	EL CAP.	22UF 50V M
C370	VE-30000384	EL CAP.	2.2UF 50V M	C571	VE-30000371	EL CAP.	22UF 50V M

[AV28BT5EES / AV28BT5EEB]

△ Symbol No.	Part No.	Part Name	Description	△ Symbol No.	Part No.	Part Name	Description
CAPACITOR				CAPACITOR			
C572	VE-30000371	EL CAP.	22UF 50V M	C848	VE-30000353	EL CAP.	100UF 25V M
C573	VE-30000371	EL CAP.	22UF 50V M	C850	VE-30000433	CER CAP.	1NF 1KV M B
C576	VE-30000201	SMD CAP.	15PF 50V J	C851	VE-30000433	CER CAP.	1NF 1KV M B
C577	VE-30000201	SMD CAP.	15PF 50V J	C852	VE-30000433	CER CAP.	1NF 1KV M B
C580	VE-30000387	EL CAP.	33UF 50V M	C853	VE-30000289	SMD CAP.	10NF 50V K R
C583	VE-30000294	SMD CAP.	100NF 50V K	C854	VE-30008805	MKT CAP.	39NF 63V J
C590	VE-30000294	SMD CAP.	100NF 50V K	C855	VE-30000284	SMD CAP.	1NF 50V K R
C596	VE-30000289	SMD CAP.	10NF 50V K R	C860	VE-30000440	CER CAP.	2.2NF 4KV M
C597	VE-30000289	SMD CAP.	10NF 50V K R	C865	VE-30000440	CER CAP.	2.2NF 4KV M
C598	VE-30000289	SMD CAP.	10NF 50V K R	C890	VE-30000396	EL CAP.	47UF 16V M
C599	VE-30000334	SMD CAP.	47NF 50V K	C891	VE-30000335	CER CAP.	47NF 50V Z F
C600	VE-30000289	SMD CAP.	10NF 50V K R	C892	VE-30000295	CER CAP.	100NF 50V Z F
C601	VE-30000355	EL CAP.	100UF 50V M	COIL			
C603	VE-30000309	SMD CAP.	2.2NF 50V K R	L001	VE-30002016	FIXED COIL	150UH Q60 K
C604	VE-30000107	MKT CAP.	47NF 250V J	L002	VE-30010964	FERRITE BEAT	
C605	VE-30000075	MKT CAP.	100NF 250V K (DC)	L050	VE-30002015	FIXED COIL	150UH Q50 K (RAD)
C606	VE-30000406	EL CAP.	47UF 250V M (HR)	L051	VE-30002015	FIXED COIL	150UH Q50 K (RAD)
C607	VE-30000407	EL CAP.	470UF 16V M	L054	VE-30010964	FERRITE BEAT	
C608	VE-30009206	SMD CAP.	15NF 50V K R	L201	VE-30001979	FIXED COIL	1UH Q45 M-A
C610	VE-30000123	PP CAP.	33NF 630V K	L202	VE-30010964	FERRITE BEAT	
C611	VE-30000143	MKT CAP.	2.2NF 2KV ⅜.5	L301	VE-30001987	FIXED COIL	4.7UH Q70 K-A
C612	VE-30000356	EL CAP.	100UF 63V M	L302	VE-30001987	FIXED COIL	4.7UH Q70 K-A
C613	VE-30000121	KP CAP	27NF 630V J	L303	VE-30001987	FIXED COIL	4.7UH Q70 K-A
C617	VE-30000172	MKT CAP.	680NF 250V J (P=15)	L304	VE-30001986	FIXED COIL	3.3UH Q65 K
C618	VE-30000078	MKT CAP.	1UF 100V M	L306	VE-30002002	FIXED COIL	47UH Q60 K
C620	VE-30000433	CER CAP.	1NF 1KV M B	L307	VE-30002002	FIXED COIL	47UH Q60 K
C621	VE-30000078	MKT CAP.	1UF 100V M	L308	VE-30002002	FIXED COIL	47UH Q60 K
C625	VE-30000315	SMD CAP.	220NF 25V Z	L309	VE-30002002	FIXED COIL	47UH Q60 K
C626	VE-30000180	MKT CAP.	9.1NF 2000V ⅜.5	L402	VE-30001986	FIXED COIL	3.3UH Q65 K
C627	VE-30000340	SMD CAP.	6.8NF 50V K	L403	VE-30001990	FIXED COIL	6.8UH Q75 K
C630	VE-30000156	MKT CAP.	430NF 250V J	L405	VE-30001992	FIXED COIL	10UH Q65 K-A
C632	VE-30016086	EL CAP.	1000UF 25V 105°	L406	VE-30001992	FIXED COIL	10UH Q65 K-A
C650	VE-30000280	SMD CAP.	820PF 50V J	L407	VE-30001992	FIXED COIL	10UH Q65 K-A
C660	VE-30009208	CER CAP.	470PF 1KV K (PULSE)	L408	VE-30001979	FIXED COIL	1UH Q45 M-A
C661	VE-30009208	CER CAP.	470PF 1KV K (PULSE)	L502	VE-30001992	FIXED COIL	10UH Q65 K-A
C700	VE-30000190	CER CAP.	100PF 50V J CH	L504	VE-30001992	FIXED COIL	10UH Q65 K-A
C702	VE-30000356	EL CAP.	100UF 63V M	L505	VE-30001992	FIXED COIL	10UH Q65 K-A
C704	VE-30016085	EL CAP.	10UF 63V 105°	L506	VE-30001992	FIXED COIL	10UH Q65 K-A
C705	VE-30000071	MKT CAP.	10NF 63V J	L515	VE-30001992	FIXED COIL	10UH Q65 K-A
C706	VE-30000092	MKT CAP.	220NF 63V J	L602	VE-30002026	FIXED COIL	1MH AK19 25/28
C707	VE-30000069	MKT CAP.	1NF 100V J	L603	VE-30002156	LINEARITY COIL	30UH 110' (AK19)
C708	VE-30000189	SMD CAP.	100PF 50V J	L604	VE-30002031	FIXED COIL	INJECTION 15MH
C709	VE-30000294	SMD CAP.	100NF 50V K	L605	VE-30001999	FIXED COIL	40UH (LOSS COIL
C715	VE-30000189	SMD CAP.	100PF 50V J	L801	VE-30001984	FIXED COIL	2.2UH Q55 M-AX
C801	VE-30000084	MKT CAP.	150NF 275V M AC P=15	L803	VE-30002011	CHOKE COIL	150UH 0.82A RAD
△ C802	VE-30000084	MKT CAP.	150NF 275V M AC P=15	DIODE			
△ C803	VE-30000189	SMD CAP.	100PF 50V J	D001	VE-30001284	DIODE	
C804	VE-30000421	EL CAP.	220UF 400V M (FOR 28'')	D002	VE-30001284	DIODE	
C806	VE-30000342	CER CAP.	820PF 50V K B	D003	VE-30001284	DIODE	
C807	VE-30000074	MKT CAP.	100NF 63V J	D004	VE-30001284	DIODE	
C808	VE-30000284	SMD CAP.	1NF 50V K R	D100	VE-30001284	DIODE	
C809	VE-30000309	SMD CAP.	2.2NF 50V K R	D201	VE-30001284	DIODE	
C810	VE-30000076	MKT CAP.	100NF 275V M AC	D301	VE-30001369	DIODE ZENER	
C811	VE-30000161	MKT CAP.	47NF 630V J	D302	VE-30001284	DIODE	
C813	VE-30000411	EL CAP.	4700UF 16V M	D408	VE-30001347	DIODE ZENER	
C814	VE-30000294	SMD CAP.	100NF 50V K	D409	VE-30001284	DIODE	
C816	VE-30000295	CER CAP.	100NF 50V Z F	D410	VE-30001284	DIODE	
C817	VE-30000359	EL CAP.	1000UF 16V M	D420	VE-30001285	DIODE	
C819	VE-30000295	CER CAP.	100NF 50V Z F	D500	VE-30012412	DIODE ZENER	
C821	VE-30007308	CER CAP.	220PF 1KV K (PULSE)	D503	VE-30001284	DIODE	
C822	VE-30000295	CER CAP.	100NF 50V Z F	D504	VE-30001284	DIODE	
C823	VE-30000383	EL CAP.	2200UF 25V M	D505	VE-30012412	DIODE ZENER	
C824	VE-30007308	CER CAP.	220PF 1KV K (PULSE)	D509	VE-30001284	DIODE	
C825	VE-30000295	CER CAP.	100NF 50V Z F	D555	VE-30001285	DIODE	
C826	VE-30000383	EL CAP.	2200UF 25V M	D583	VE-30001284	DIODE	
C827	VE-30007308	CER CAP.	220PF 1KV K (PULSE)	D601	VE-30001318	DIODE	
C828	VE-30000359	EL CAP.	1000UF 16V M	D602	VE-30001285	DIODE	
C829	VE-30000406	EL CAP.	47UF 250V M (HR)	D603	VE-30001284	DIODE	
C830	VE-30000295	CER CAP.	100NF 50V Z F	D604	VE-30001377	DIODE ZENER	
C831	VE-30000198	CER CAP.	120PF 500V J SL	D605	VE-30001318	DIODE	
C832	VE-30000294	SMD CAP.	100NF 50V K	D606	VE-30001318	DIODE	
C835	VE-30007308	CER CAP.	220PF 1KV K (PULSE)				
C845	VE-30000375	EL CAP.	220UF 16V M				
C846	VE-30000433	CER CAP.	1NF 1KV M B				
C847	VE-30000375	EL CAP.	220UF 16V M				

[AV28BT5EES / AV28BT5EEB]

Symbol No.	Part No.	Part Name	Description
DIODE			
D607	VE-30001285	DIODE	
D608	VE-30001284	DIODE	
D609	VE-30001318	DIODE	
D611	VE-30001323	DIODE	
D612	VE-30001320	DIODE	
D698	VE-30001318	DIODE	
D701	VE-30001284	DIODE	
D801	VE-30001329	DIODE	
D802	VE-30001329	DIODE	
D803	VE-30001329	DIODE	
D804	VE-30001329	DIODE	
D805	VE-30001318	DIODE	
D807	VE-30001318	DIODE	
D811	VE-30001315	DIODE	
D812	VE-30001315	DIODE	
D813	VE-30001288	DIODE	
D814	VE-30001307	DIODE	
D815	VE-30001307	DIODE	
D816	VE-30007681	DIODE	
D818	VE-30001318	DIODE	
D819	VE-30001349	DIODE ZENER	
D823	VE-30001284	DIODE	
D826	VE-30001318	DIODE	
D827	VE-30001318	DIODE	
D858	VE-30001371	DIODE ZENER	
D864	VE-30001285	DIODE	
D890	VE-30001284	DIODE	

TRANSISTOR

Q001	VE-30001455	TR	
Q055	VE-30001454	TR	
Q100	VE-30001454	TR	
Q301	VE-30001455	TR	
Q402	VE-30001454	TR	
Q406	VE-30001454	TR	
Q407	VE-30001454	TR	
Q415	VE-30001454	TR	
Q418	VE-30001454	TR	
Q420	VE-30001454	TR	
Q503	VE-30001455	TR	
Q512	VE-30001455	TR	
Q514	VE-30001454	TR	
Q515	VE-30001454	TR	
Q516	VE-30001454	TR	
Q517	VE-30001454	TR	
Q518	VE-30001454	TR	
Q521	VE-30001454	TR	
Q522	VE-30001454	TR	
Q601	VE-30001455	TR	
Q603	VE-20000963	HE. ASY. 19-E/W 110°	
Q604	VE-30001435	TR	
Q605	VE-30001441	TR	
Q701	VE-30001455	TR	
Q702	VE-30001454	TR	
Q802	VE-20073672	HE. ASY. 19-SMPS 110° 170-270V (PLASTIK) JVC	
Q805	VE-30001454	TR	
Q806	VE-30001454	TR	
Q807	VE-30001454	TR	
Q809	VE-30001506	IC	
Q810	VE-30001384	TR	
Q890	VE-30001428	TR	

IC

IC050	VE-30001619	IC	
IC301	VE-30001664	IC	
IC307	VE-30001495	IC	
IC401	VE-30001579	IC	
IC501	VE-20075294	IC	CPU
IC502	VE-20073446	IC	MEMORY
IC701	VE-30002736	IC	
IC801	VE-30007069	IC	
IC802	VE-30001499	IC	
IC804	VE-20058533	IC	

Symbol No.	Part No.	Part Name	Description
IC			
IC805	VE-30001500	IC	
IC807	VE-30001622	IC	
OTHERS			
△ F801	VE-20000848	FUSE ASSY. TK79-A (2.5A)	
J129	VE-30001997	FIXED COIL	33UH Q60 J
J314	VE-20058569	MD. ASY. PR19Y-11PR19Y(PROTECT. CIR.) 110°	
J500	VE-30010964	FERRITE BEAT	
J616	VE-30006712	FERRITE BEAD	
PL002	VE-30001912	PIN F 5P/2.5MM (11.5MM)	
PL892	VE-30007118	PIN F 2P/7.5MM	
PL893	VE-30007118	PIN F 2P/7.5MM	
TH801	VE-30001268	THERMISTOR 3P	
TR601	VE-30002090	LINE DRIVER	
△ TR602	VE-30002054	TRF FBT	
△ TR801	VE-30002103	LINE FILTER	
△ TR802	VE-30002080	TRF SMPS	
TU201	VE-30009637	TUNER	
VL301	VE-30002037	ADJ COIL	VIF 38.9 Q80
VR801	VE-30001064	RES ADJ	470R 0.1W VER (MAN)
X301	VE-30001756	XTAL	
X401	VE-30001748	XTAL	
X404	VE-30001745	XTAL	
X501	VE-30006662	XTAL	
Z209	VE-30001728	TRIPLE TRAP	
Z301	VE-30001706	FILTER SAW	
Z302	VE-30001692	FILTER SAW	
Z401	VE-30001695	FILTER SAW	

MULTI SOUND P.W. BOARD ASS'Y (VE-20078991)

Refer to PARTS LIST in page 24 for this P.W. board.

CRT SOCKET P.W. BOARD ASS'Y (VE-20074437)

Refer to PARTS LIST in page 25 for this P.W. board.

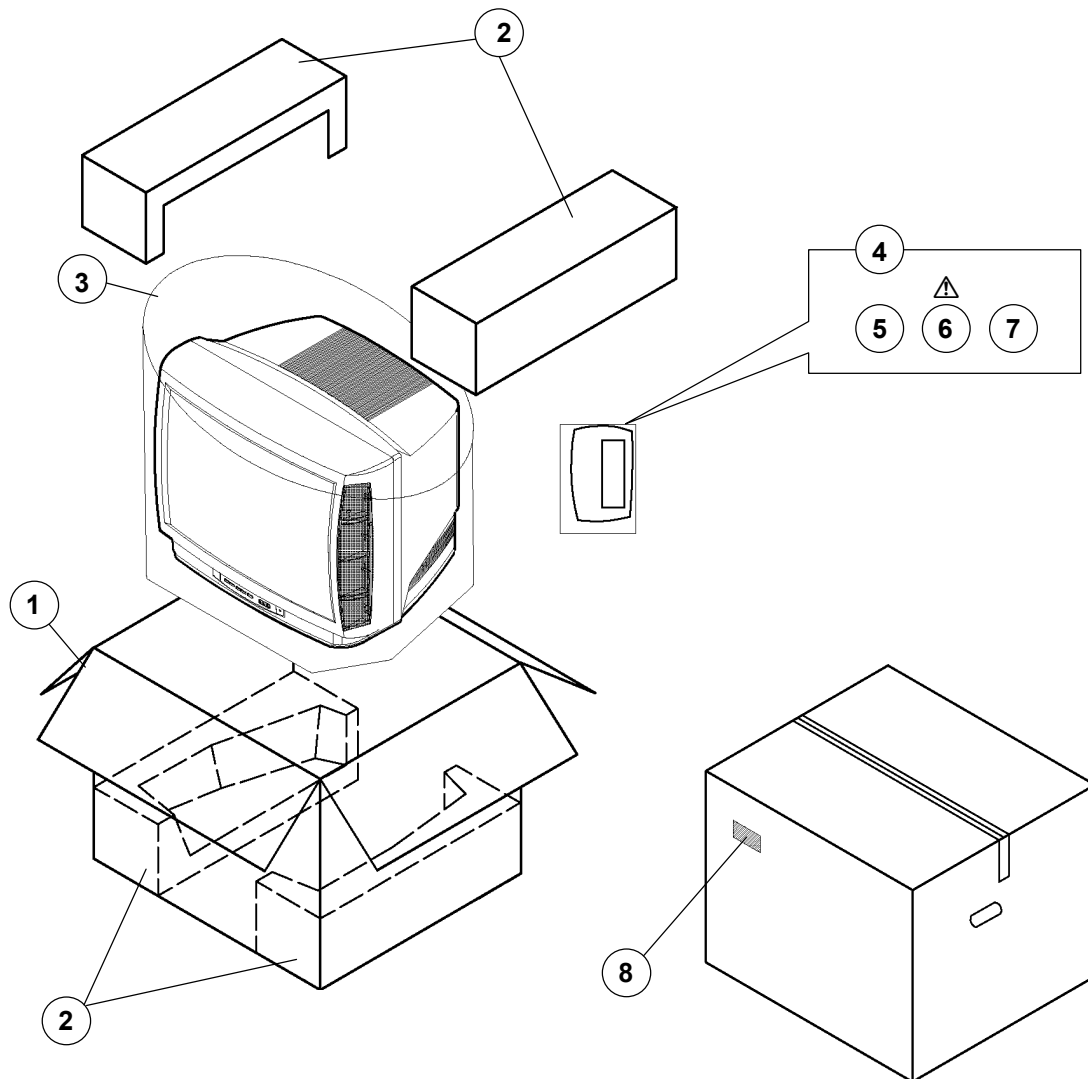
FRONT CONTROL P.W. BOARD ASS'Y (VE-20079113)

Refer to PARTS LIST in page 25 for this P.W. board.

HEAD PHONE JACK P.W. BOARD ASS'Y (VE-20075472)

Refer to PARTS LIST in page 25 for this P.W. board.

PACKING



PACKING PARTS LIST

△ Ref.No.	Part No.	Part Name	Description
1	VE-20074101	F CARTON BOX	(AV28BT5EES)
1	VE-20074229	F CARTON BOX	(AV28BT5ENS)
1	VE-20074115	F CARTON BOX	(AV28BT5EEB)
1	VE-20073917	F CARTON BOX	(AV28BT5ENB)
2	VE-20004267 / 68	CUSHION ASS'Y 72	
3	VE-50020732	POLLY BAG (1400*1000)	
4	VE-70000010	POLLY BAG	
5	RM-C85	REMOTE CONTROL UNIT	
△ 6	VE-50021021	INST BOOK	(AV28BT5ENS/ENB)
△ 6	VE-50021020	INST BOOK	(AV28BT5EES/EEB)
7	BT-54013-2TK	WARRANTY CARD	
8	VE-20074100	LABEL	(AV28BT5EES)
8	VE-20074113	LABEL	(AV28BT5EEB)
8	VE-20074227	LABEL	(AV28BT5ENS)
8	VE-20073915	LABEL	(AV28BT5ENB)